

SUPER MAGNET

NON-CONTACT LOCKING DEVICE WITH CODED SAFETY SWITCH INTEGRATED

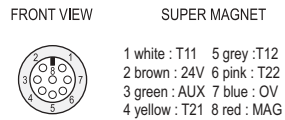
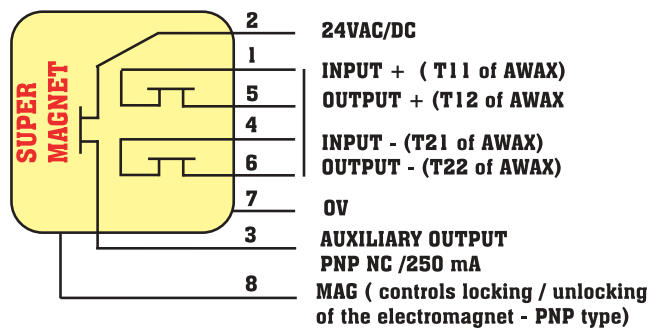
- R version : - Power on locking
 - Latch force 50daN (dc)
 - Latch force 10daN (ac)
- E version : - Power off locking
 - Latch force 30daN
- Detection of door's opening by ACOTOM[®] process (see page 41)
- 2 static contacts for monitoring with AWAX
- 1 auxiliary contact: compatible with PLC
- Connector M12 incorporated
- Protection class: IP65



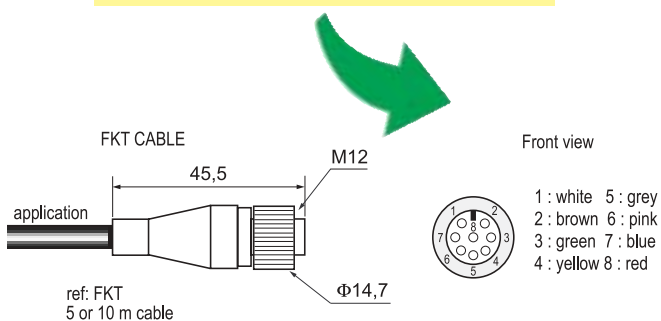
SAFETY CATEGORY

SUPER MAGNET : EN60947-5-3

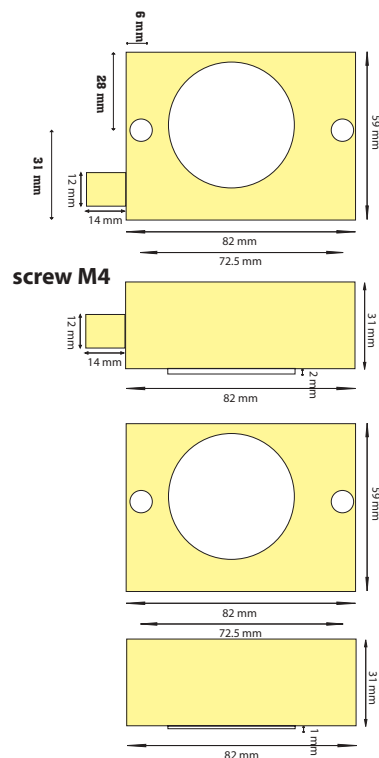
WIRING DIAGRAM



ADVICE 5 or 10m of cable with female connector:
 -Protection class IP67
 -Ref: FKT-5M or FKT-10M



DIMENSIONS



APPLICATION

Double functions: holding of movable machine guards and control of its opening with the ACOTOM[®] decoding process.