

FURTIF VIGIL

STAND-ALONE without safety module

NON CONTACT MULTICODED SWITCH : TOTAL SAFETY IN CATEGORY 4

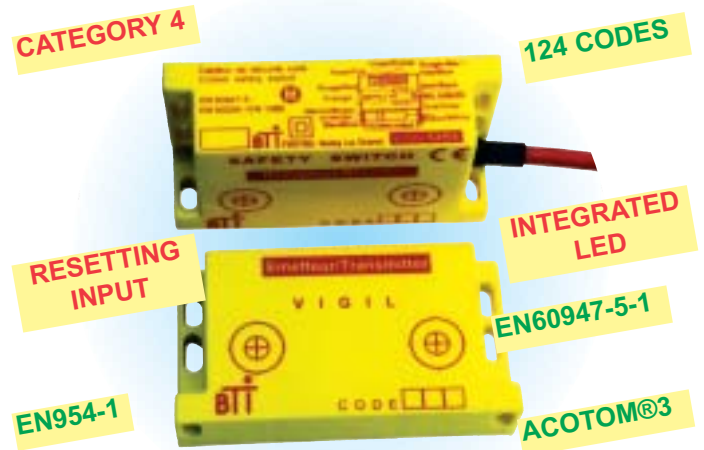
- Automatic, integrated self-checking
- 124 codes on request (ref:001-124)
- Detecting distance/hysteresis/misalignment:
10 /+2 /±9 mm
- 2 NO 2A/48V + 1NC 24V/250mA
- LED indication of switch condition
- Monitored manual reset (ref+SXRS)
- Test loop
- Mounting brackets and moulded cable
- Polycarbonate housing
- Temperature -20°C to +60°C / Waterproof IP67

SAFETY CATEGORY

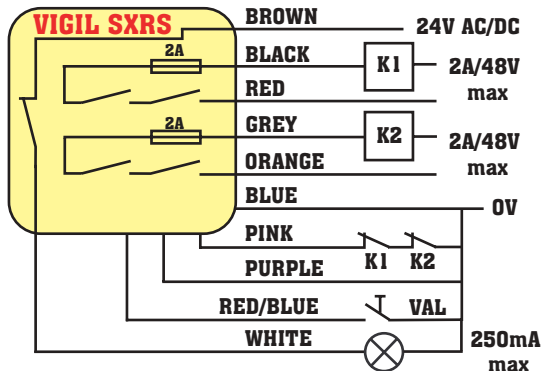
VIGIL SXRS : category 4* according to EN 954-1

VIGIL SXR : category 3* according to EN 954-1

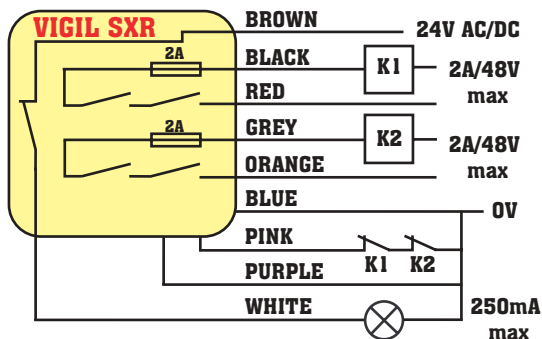
*regardless of number of switches in series



WIRING DIAGRAM

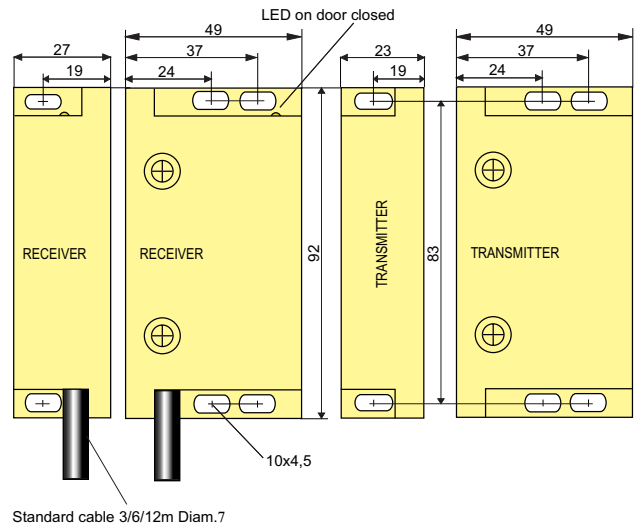


cat.4



cat.3

DIMENSIONS



Vigil in case of failure



ADVICE

No place left in your electrical board? This switch does not need an external safety module to reach the highest safety level (detects even an accumulation of faults)

Our switches are equipped with a 2A fuse in order to guarantee electrical protection