

# FURTIF 7SSR24V

STAND-ALONE without safety module

## CODED NON-CONTACT SAFETY SWITCH FOR THE POSITION CONTROL OF MOVING DOORS AND GATES

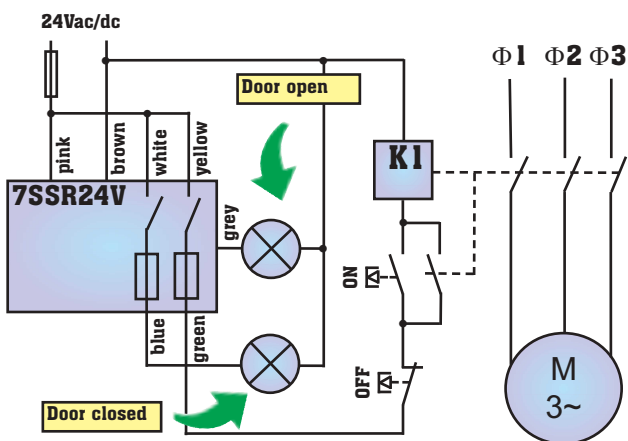
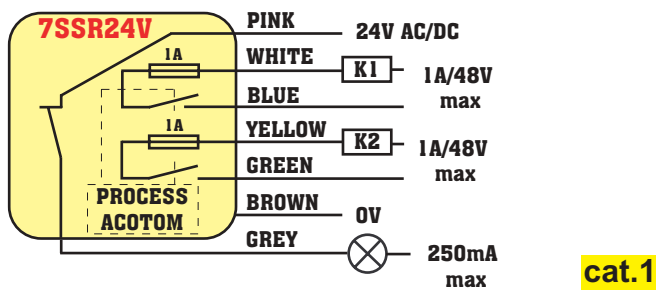
- Cylindrical design
- Misalignment :  $\pm 30^\circ$  in rotating movement
- Detection distance / hysteresis : 6 / +2 (mm)
- 2 NO 1A/48V + 1NC 24V/250mA
- Red LED indication of actuator absence
- Moulded cable
- Housing tube M30 in CuNi
- Protection class IP67
- Temperature -20°C to +60°C



### SAFETY CATEGORY

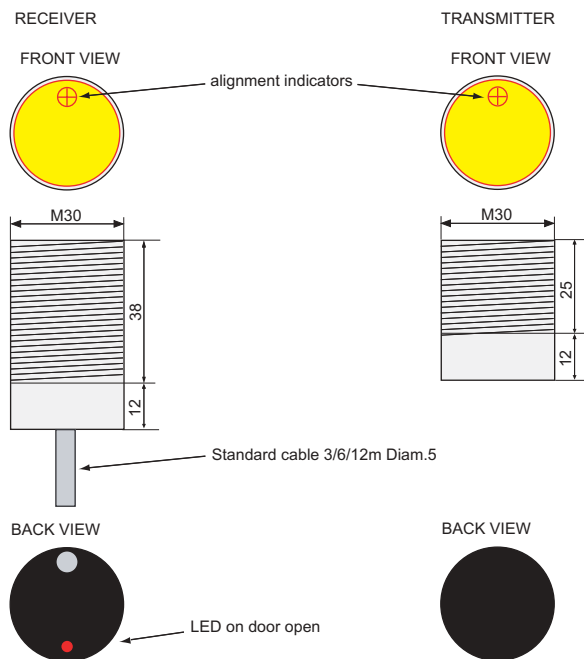
- 7SSR24V : category 1 according to EN954-1
- 7SSR24V + safety module : category 4
- 7SSR24V in series + safety module : category 3

### WIRING DIAGRAM



Note : the yellow/green line of the 7SSR24V is closed in case of lack of power supply.

### DIMENSIONS



### ADVICE

To Replace mechanical and magnetic switches with reed contacts.  
Robust switch thanks to its metal housing.