

# BOSTER

STAND-ALONE without safety module

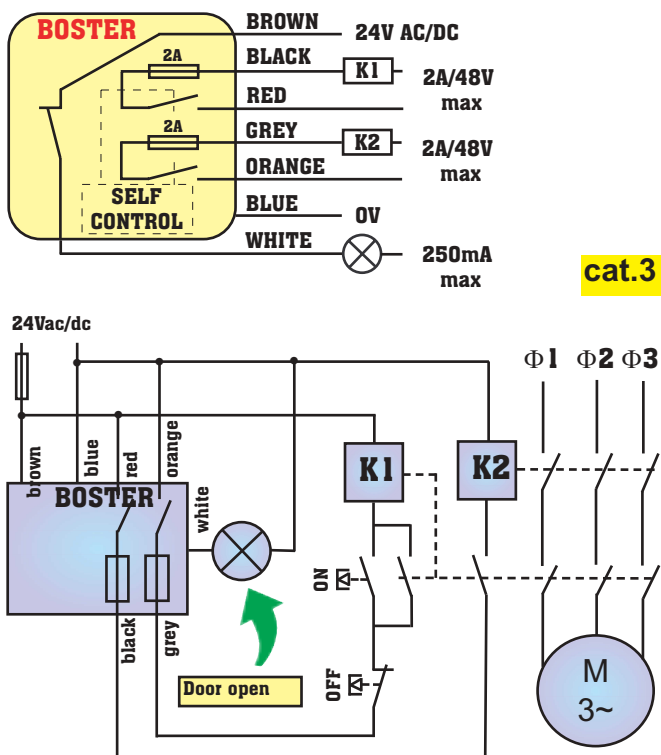
## CODED SAFETY SWITCH WITH MAGNETIC LATCH FOR THE GUARDS OF DANGEROUS MACHINES

- Magnetic latch 4 Kg
- Decoding by Acotom3 process
- Safety contacts 2A/48V
- Auxiliary output for automation control or lights
- Stainless steel 316L housing
- Laser marking
- Protection class IP67
- Temperature -20°C to +60°C

### SAFETY CATEGORY

**BOSTER : category 3\***  
**BOSTER in series + safety module : category 4\***  
 \*regardless of number of switches in series

### WIRING DIAGRAM

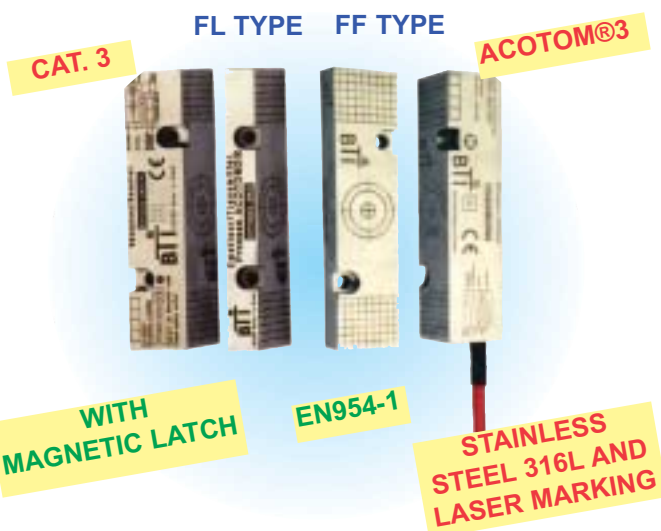


cat.3

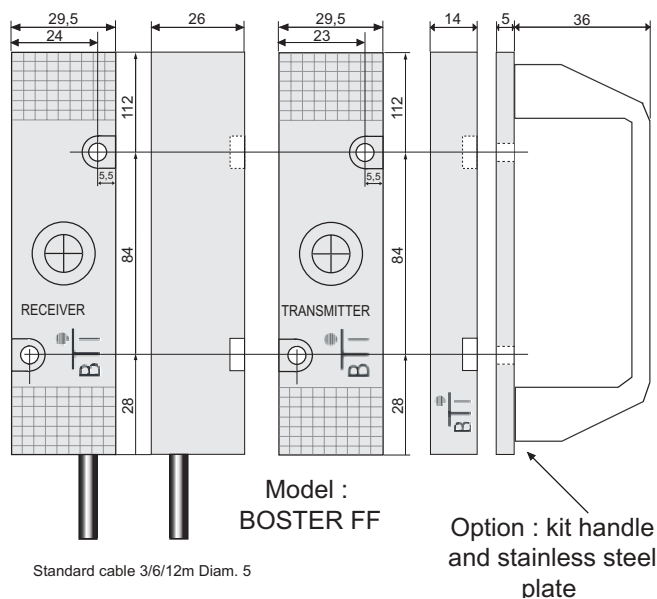
### BOSTER in case of failure



Our switches are equipped with a 2A fuse to guarantee electrical protection.



### DIMENSIONS



Front fixing : FF  
 Side fixing : FL (please consult us)

### ADVICE

Thanks to the stainless steel 316L housing and laser marking, this product can be used in the dairy industry. Door latches up to 5m<sup>2</sup>. The marking is still readable after cleaning.