

STAND-ALONE safety switch without safety module

# MASSIMOTTO X5 M12 AR

## CODED NON-CONTACT ELECTRO-MECHANICAL SAFETY SWITCH TO CONTROL MACHINE GUARDS

- Automatic built-in self-checking
- Fitted with an input for Manual Reset
- With single M12 connector
- Switching distance/hysteresis : 8 mm/3 mm
- LED indication of actuator presence
- Polycarbonate housing
- Power supply : 24 V ac/dc -15% /+10% 50 /60 Hz
- Waterproof IP67/Temperature -20°C to +60°C
- Auxiliary output : NC PNP/250 mA
- Response time : 10 ms

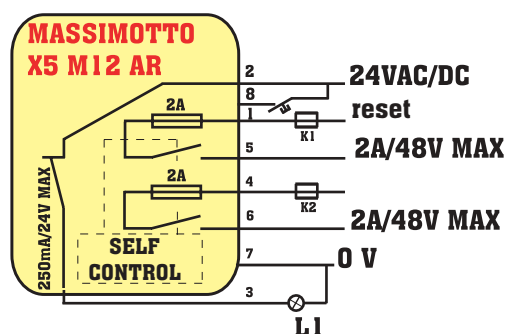
### SAFETY CATEGORY

**MASSIMOTTO X5 M12 AR** : category 3 according to EN954-1/EN 12100-2

**MASSIMOTTO X5 M12 AR** : category 4\* in association with safety module

\*Regardless of number of switches in series

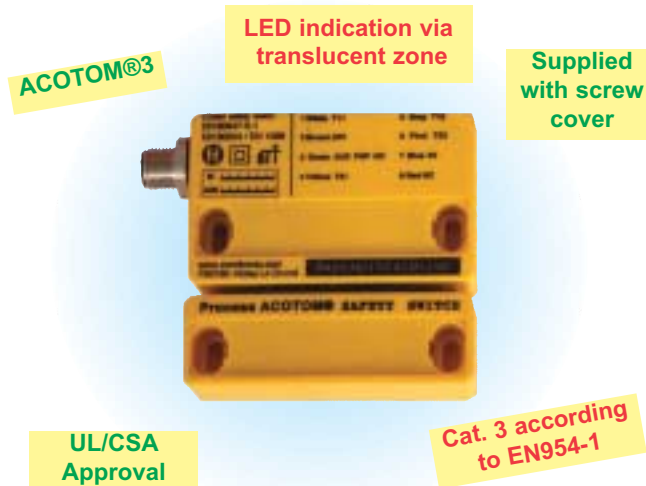
### WIRING DIAGRAM



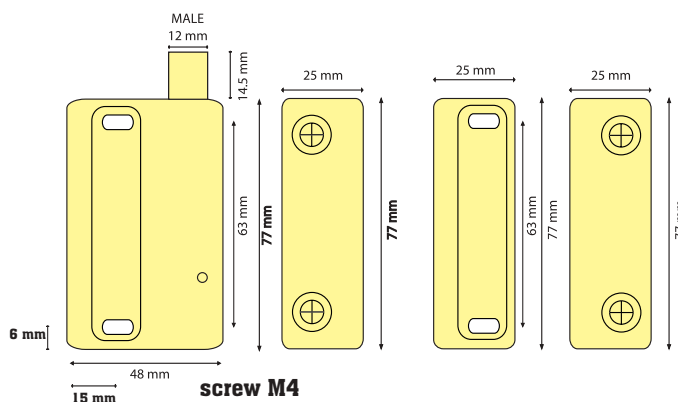
cat.3

### APPLICATION

Stand-alone safety switch with integrated manual reset. A useful alternative for installation in series. Ideal for small machines without electrical cabinet.



### DIMENSIONS



### PIN DETAILS

Male input connector:

- 1 white NO1
- 2 brown 24V
- 3 green Auxiliary PNP NC
- 4 yellow NO2
- 5 grey NO1
- 6 pink NO2
- 7 blue 0V
- 8 red RESET

INM

