

# OPTOPUSC M8

WITH Awax safety module

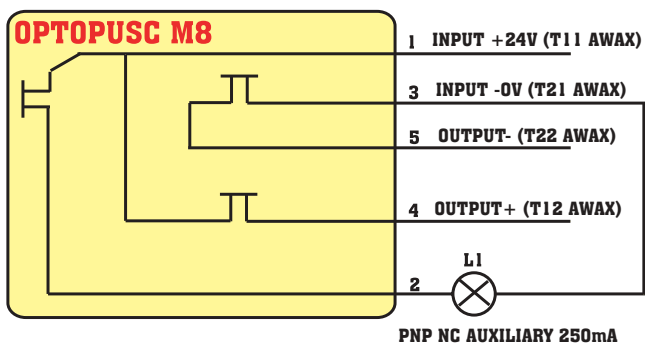
## CODED NON-CONTACT SAFETY SWITCH FOR THE MOVING GUARDS OF DANGEROUS MACHINES

- Acotom®2 decoding process
- Power supply: 24Vdc -15%/+10% or T11/T21 on AWAX safety module
- Switching distance/hysteresis : 7 /2 mm
- Safety contacts: 2NO 24Vdc/400mA
- Auxiliary contact: 1 PNP 24Vdc /250mA
- Protection class: IP67
- Temperature -20°C to +60°C
- Response time: 500µs

### SAFETY CATEGORY

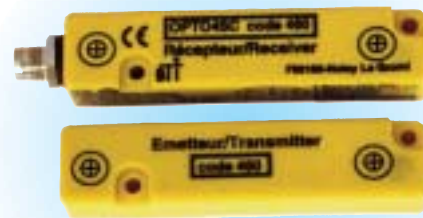
- optopusc M8 : EN60947-5-3
- optopusc M8 with Awax : category 4
- optopusc M8 in series with Awax : category 2

### WIRING DIAGRAM



ACOTOM®2

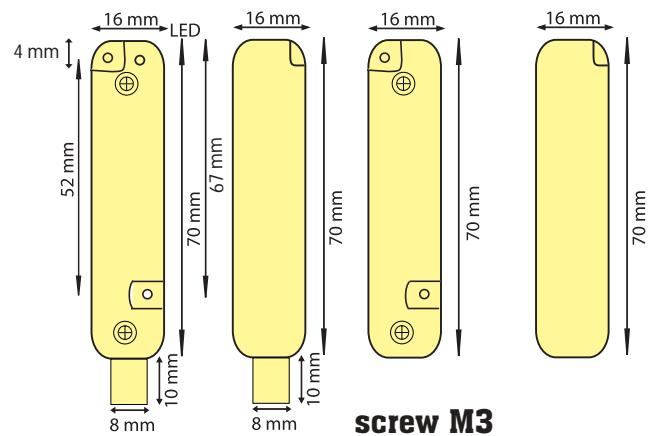
CONNECTION 4 OR 5 WIRES



LED viewed via translucent zone

Miniature range

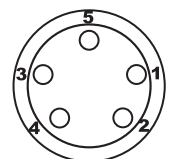
### DIMENSIONS



### PIN DETAILS

- Male input connector :
- 1 brown 24V (T11)
  - 2 white AUX PNP NC
  - 3 blue 0V (T21)
  - 4 black PNP (T12)
  - 5 grey NPN (T22)

INM



### ADVICE

Ideal solution for quick and easy wiring in series for tiny access on machine.