

# ANATOM78S SES M12 WITH Awax safety module

## CODED NON-CONTACT SAFETY SWITCH WITH AUTOMATIC EJECTION FOR THE MOVING PROTECTORS OF DANGEROUS MACHINES

- Acotom<sup>®</sup>2 decoding process
- Power supply: 24Vac/dc -15%/+10% or T11/T21 of AWAX
- Automatic ejection when transmitter and receiver move near: Prevention of shocks if they touch each other
- Detection distance/hysteresis : 8/ 3mm
- Auxiliary contact : NC PNP (supply)/ 250mA
- Protection class IP67
- Temperature -20°C to +60°C
- Response time: 500µs

**ACOTOM<sup>®</sup>2**

**Magnetic ejection incorporated**



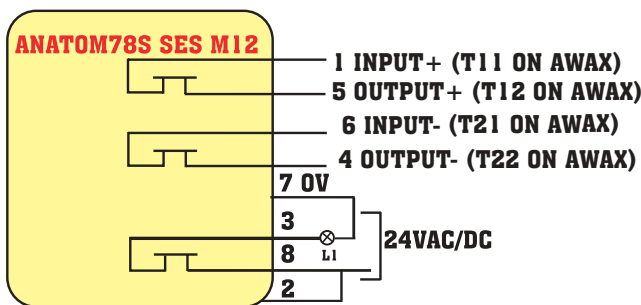
**LED viewed via translucent zone**

**Tamperproof thanks to electronical decoding system**

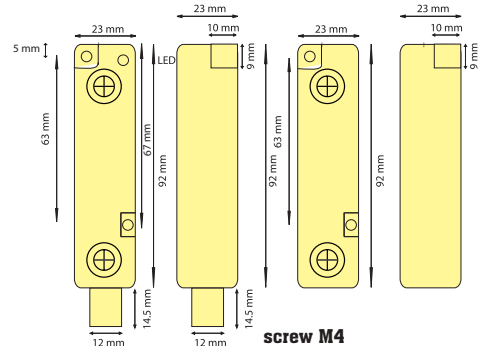
### SAFETY CATEGORY

- ANATOM78S SES M12 : EN60947-5-3**
- ANATOM78S SES M12 with AWAX : category 4**
- ANATOM78S SES M12 in series with AWAX: category 3**

### WIRING DIAGRAM



### DIMENSIONS



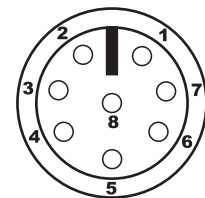
### PIN DETAILS

Male input connector:

- 1 white T11
- 2 brown 24V
- 3 green AUX NC
- 4 yellow T21
- 5 grey T12
- 6 pink T22
- 7 blue 0V
- 8 red AUX NC

Accessory:  
 FKT M12 with  
 2, 5 or 10 M cable

**INM**



### ADVICE

Ideal solution for quick wiring in series.