

ANATOM78S M12

WITH Awax safety module

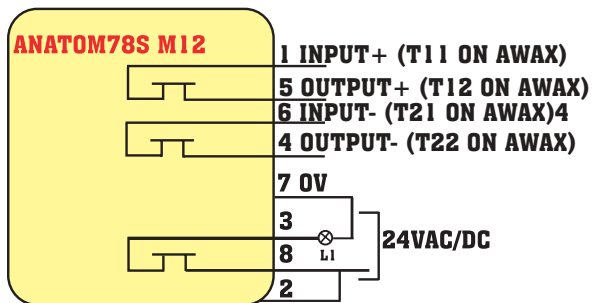
CODED NON-CONTACT SAFETY SWITCH FOR THE CONTROL OF MACHINE GUARDS

- Acotom@2 decoding process
- Power supply: 24Vac/dc -15%/+10% or T11/T21 of AWAX
- Switching distance/hysteresis : 8 /3 mm
- Auxiliary contact : NC PNP(supply)/250mA
- Protection class IP67
- Temperature -20°C to +60°C
- Response time: 500µs

SAFETY CATEGORY

ANATOM78S M12 : EN60947-5-3
1 ANATOM78S M12 with Awax : category 4
ANATOM78S M12 in series with Awax : category 3

WIRING DIAGRAM



ACOTOM@2

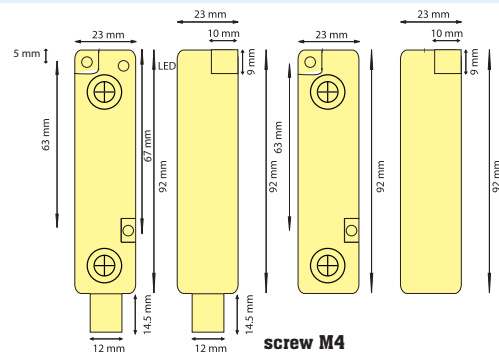
Tamperproof thanks to
electronical decoding system



LED viewed via
translucent zone

Quick wiring
in series

DIMENSIONS



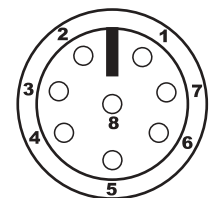
PIN DETAILS

Male input connector:

- 1 white T11
- 2 brown 24V
- 3 green AUX NC
- 4 yellow T21
- 5 grey T12
- 6 pink T22
- 7 blue 0V
- 8 red AUX NC

Accessory:
FKT M12 with
2 , 5 or 10m cable

INM



ADVICE

Ideal solution for quick and easy wiring in series.