



Safety is for life.™

## PRODUCT INFORMATION



# EXPLOSION VENT FOR HIGH TO FULL VACUUM AND PRESSURE CYCLING

## Applications

**ODV explosion vent** is used under demanding vacuum to overpressure cyclic operating conditions. Designed for working pressures of up to **80% of static burst pressure**.

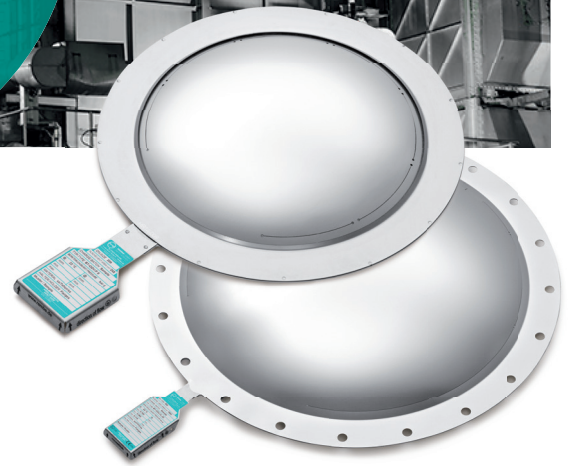
The ODV is ideal for use in applications such as filters with frequent jet-pulse cleaning, high vacuum or suction conveyors. It is vacuum resistant and the standard explosion pressure is 0.1 bar at 22 °C (71.6 °F).

**The ODU explosion vent** is ideal for applications that involve pressure cycling but no vacuum. In this version, the vacuum support used on the ODV is replaced by a supporting lower section.

## Mechanism

When pressure rises, the explosion vent opens at the defined breaking point and releases pressure out of the vessel into the surrounding area.

Made  
in  
Germany



## Your advantages

- **Low response pressure with full vacuum resistance** possible.
- High working pressure resistance of the explosion vent offers **maximum productivity for your processes**.
- Triple-section domed construction ensures **high-pressure cycling resistance and exceptional service life**.
- **Special customised solutions** possible.

### Technical data\*

Standard burst pressure $P_{stat}$	0.1 bar
Max. permitted operating pressure	80% of $P_{stat}$
Temperature	- 100 to +230 °C (-148 to +446 °F)
Material	Stainless steel
Tolerance	± 15% at standard burst pressure

\*Our specialists will be pleased to assist you in finding a solution that matches your specific operating conditions.



ATEX  
EC type examination  
certificate no.  
FSA 04 ATEX 1538 X

**SIL equivalent** SIL 4

You can find detailed information and contact details for enquiries relating to ODV and ODU explosion vents at [www.rembe.de](http://www.rembe.de). Give us a call on: T +49 2961 7405-0 or contact us via email: [info@rembe.de](mailto:info@rembe.de).

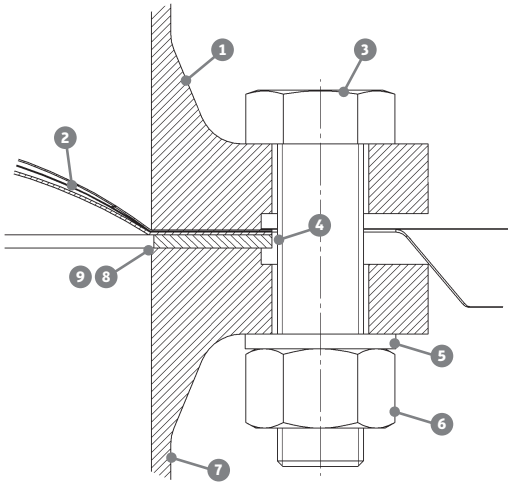




Safety is for life.™

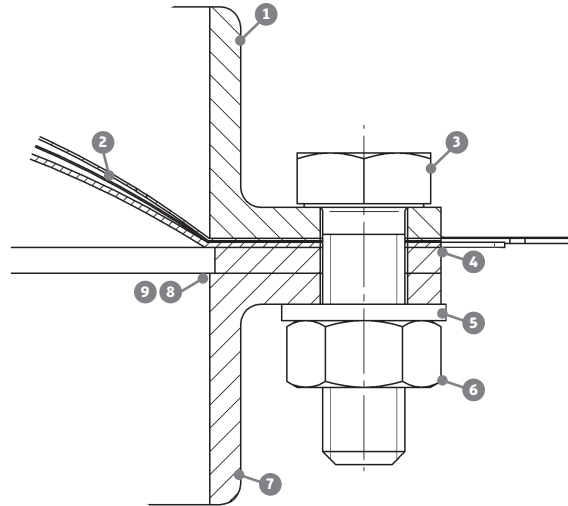
## PRODUCT INFORMATION

### Installation options



Installation between flanges.

- ① Outlet flange
- ② Explosion vent
- ③ Bolt
- ④ Gasket
- ⑤ Washer
- ⑥ Nut
- ⑦ Inlet flange
- ⑧ Edge ( $r \leq 2 \text{ mm}$ )
- ⑨ Opening



Installation between angular rings.

- ① Outlet angular ring
- ② Explosion vent
- ③ Bolt
- ④ Gasket
- ⑤ Washer
- ⑥ Nut
- ⑦ Inlet angular ring
- ⑧ Edge ( $r \leq 2 \text{ mm}$ )
- ⑨ Opening

#### Standard dimensions

DN [mm]	Effective venting area [cm <sup>2</sup> ]	Vacuum standard [mm WC]	Vacuum max. [mm WC]
200	245	6000	10000
300	600	6000	10000
400	1000	5000	10000
500	1660	5000	10000
600	2500	3000	8000
700	3500	2000	5000
800	4600	1500	3000
900	5900	800	1000
1000	7400	800	1000
1100	8950	500	500
1200	10000	500	500
1300	12500	100	100
1400	15000	100	100

Other dimensions available on request.

Consulting. Engineering. Products. Service.

REMBE® GmbH Safety+Control

Gallbergweg 21 | 59929 Brilon, Germany | T +49 2961 7405-0 | F +49 2961 50714  
info@rembe.de | www.rembe.de