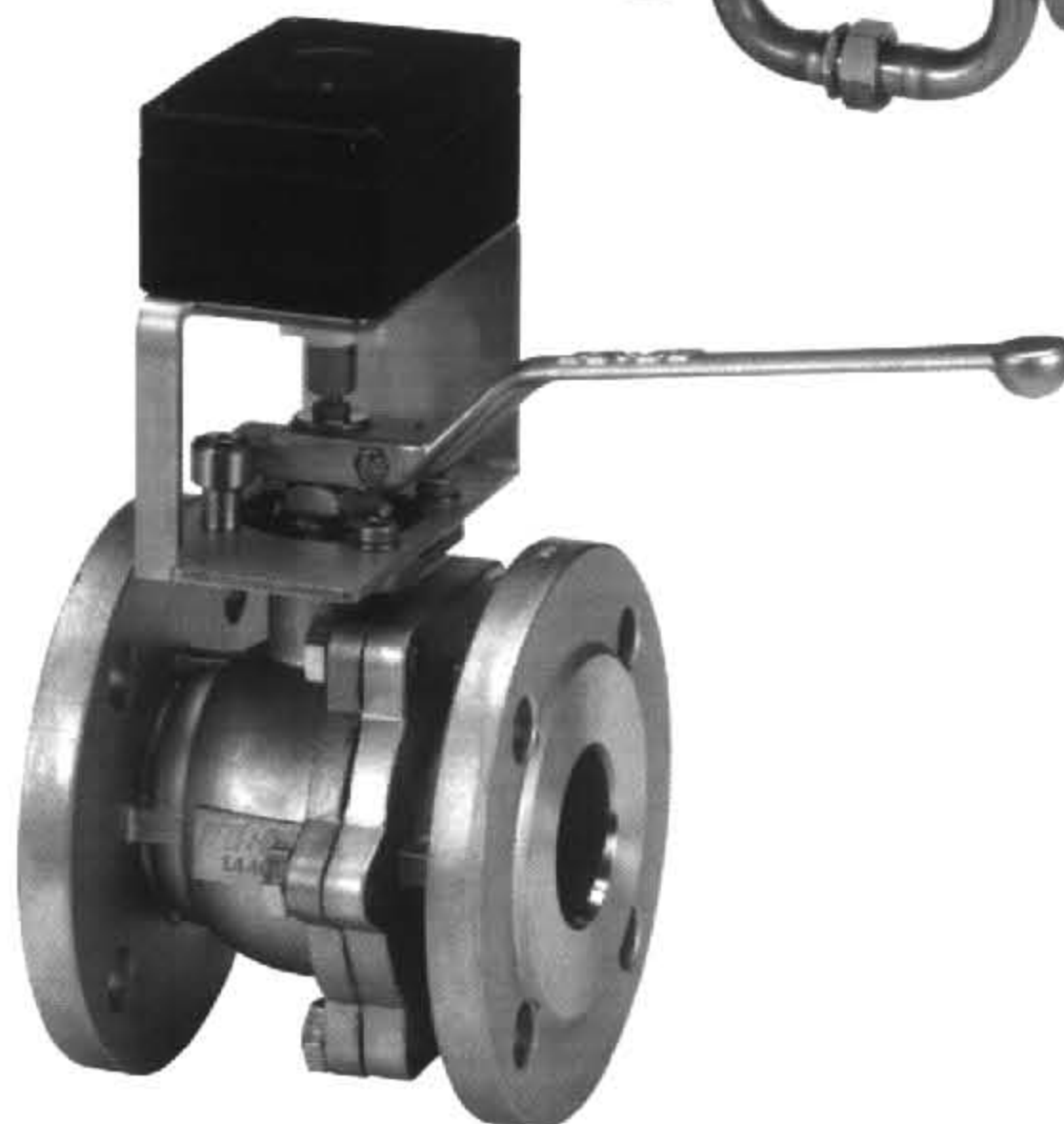
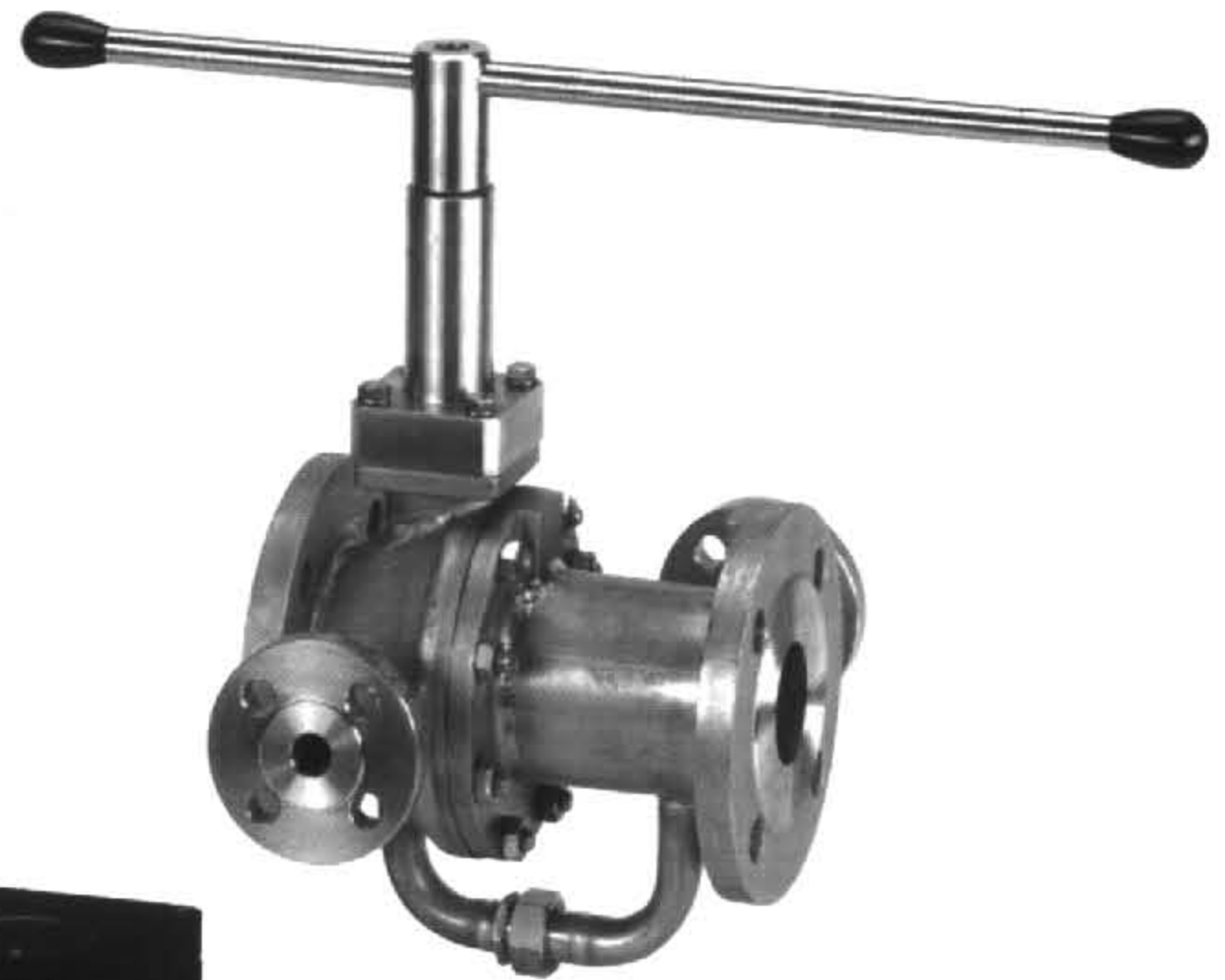
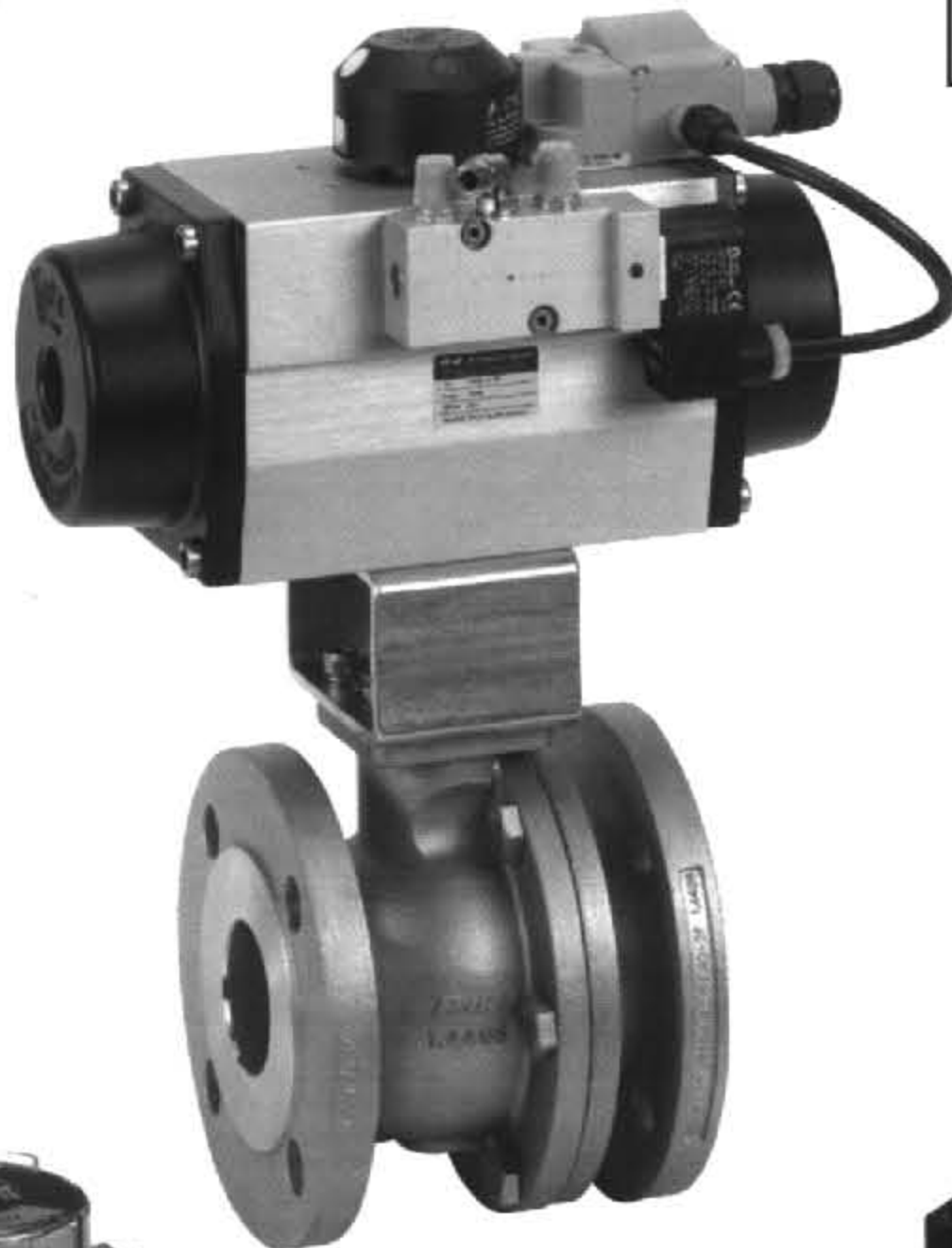
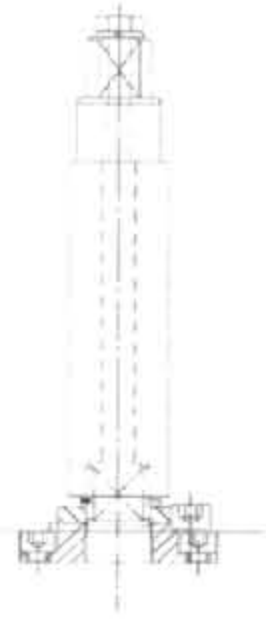




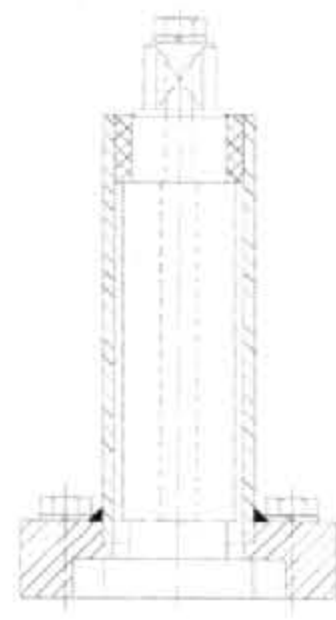
Accessories for Ball Valves and Automation

- Stem Extensions
- Locking and Blocking Devices
- Special Hand Levers
- Manual Worm Gear Operators
- Heating Jackets
- Combination Switch Gear
- Limit Switches
- Solenoid Valve Controls
- BUS-applicable Sensorics and Controls

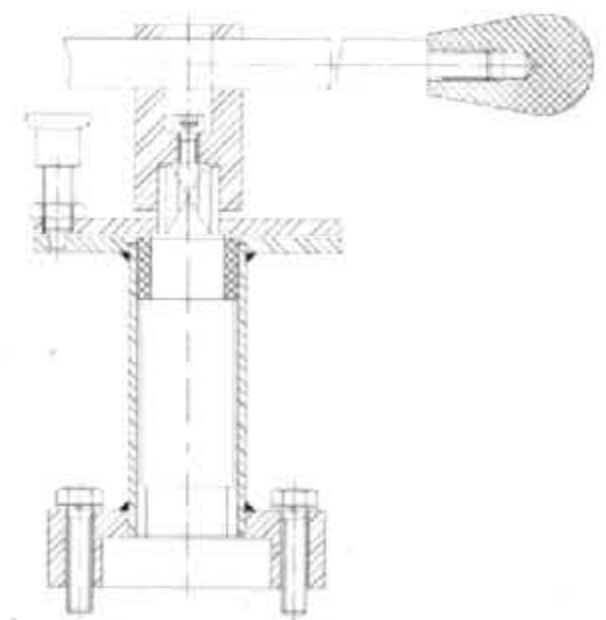




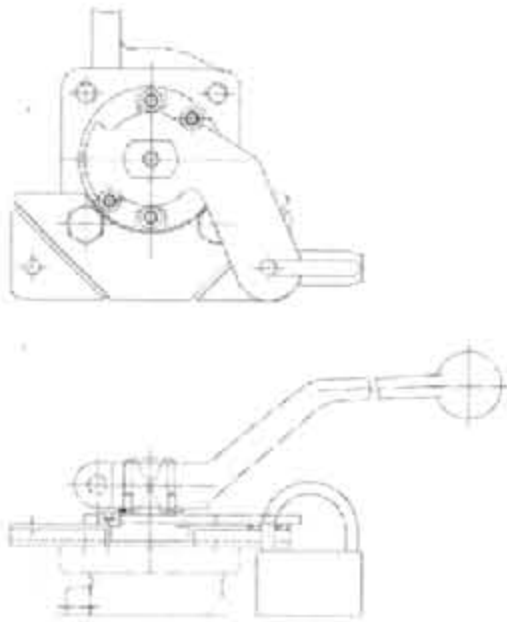
**Stem Extension
standard**



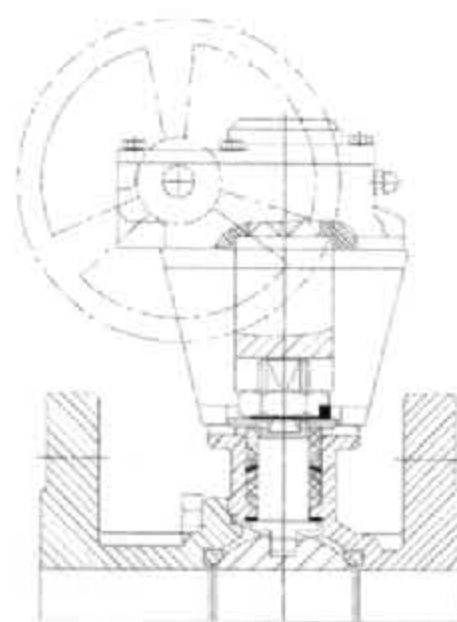
**Stem Extension with
Support Tube**



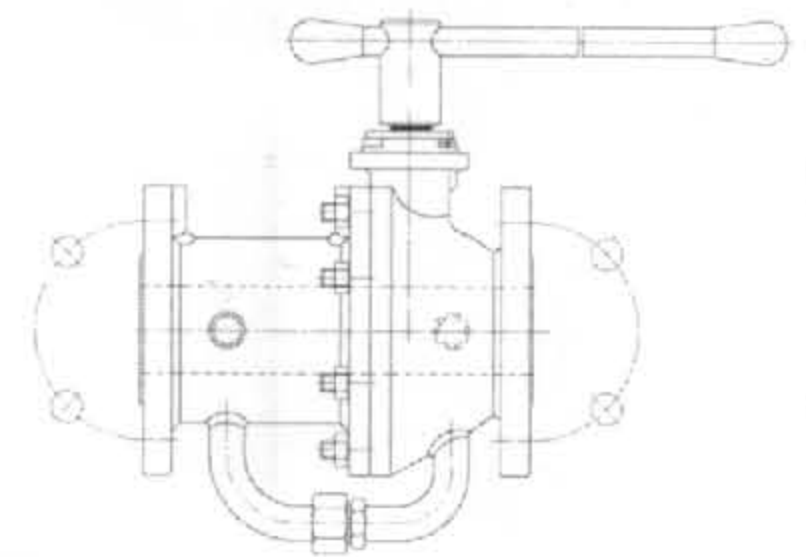
**Stem Extension with Support
Tube, Blocking Device
and special Hand Lever**



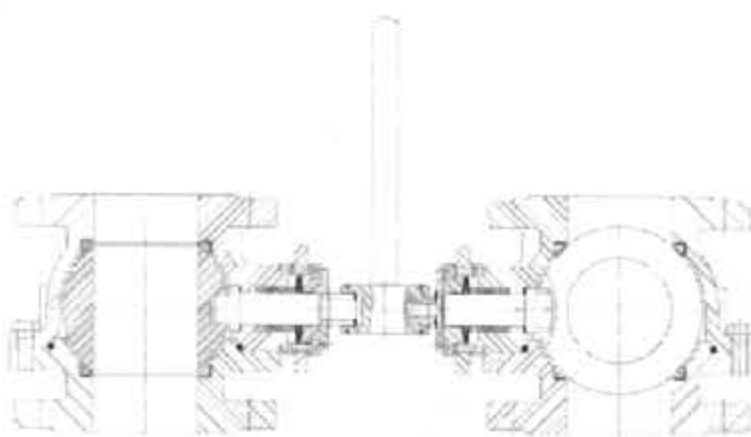
Locking Device



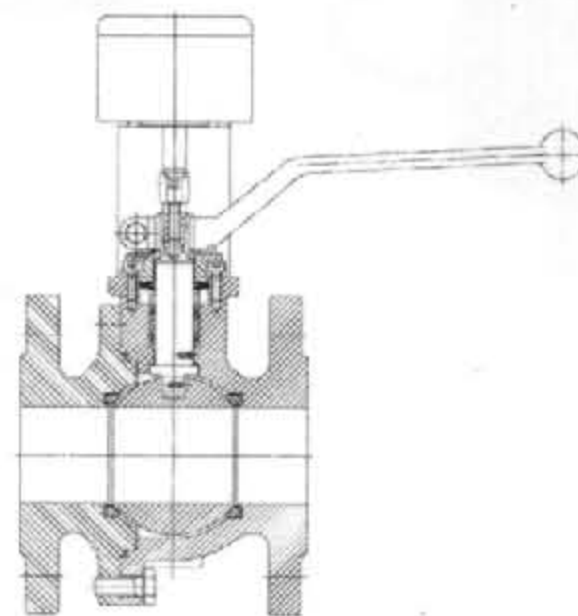
Worm Gear Operator



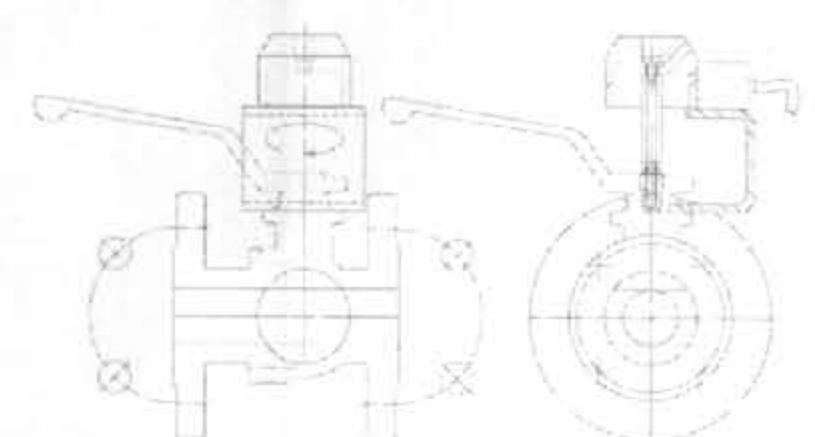
**Heating Jacket and special
Hand Lever**



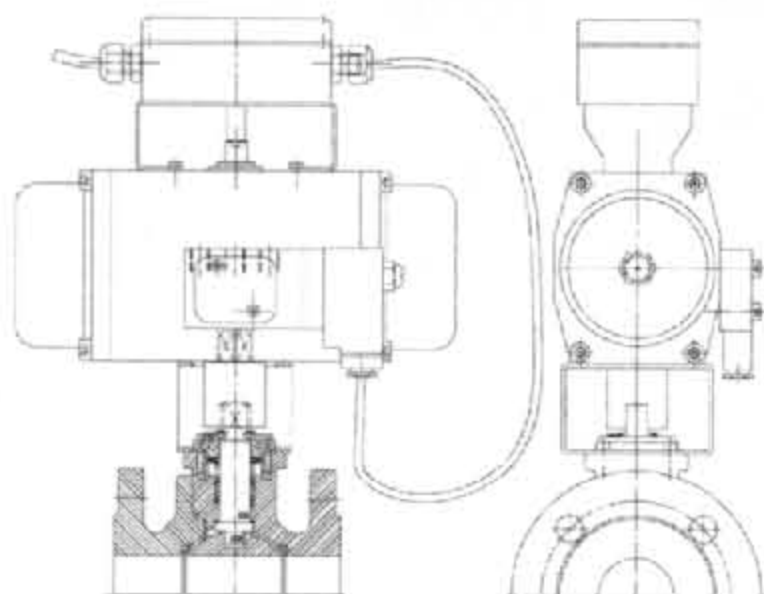
**Ball Valve Combination
Switch Gear**



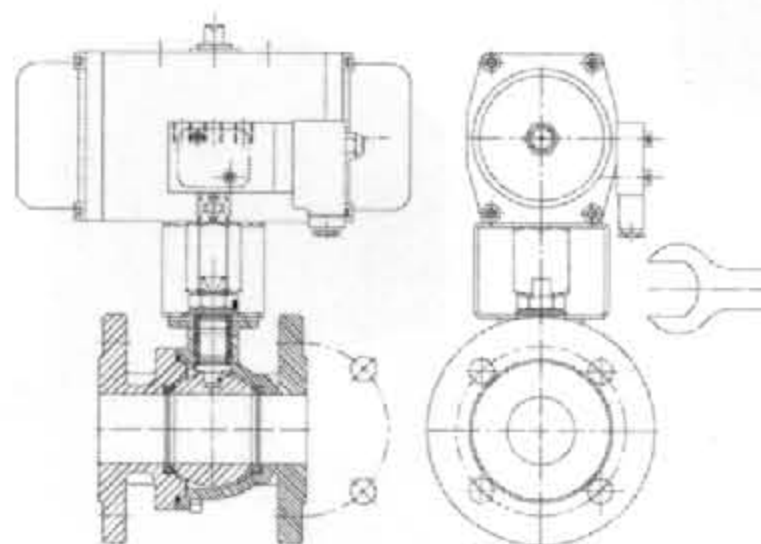
**Ball Valve with
Limit Switch Box**



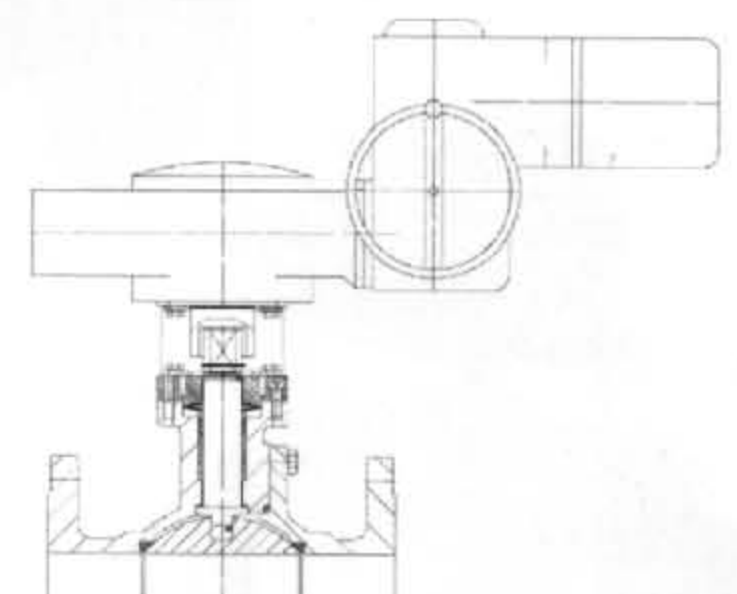
**Ball Valve with inductive
double Sensor**



**Ball Valve with pneumatic
Actuator, Limit Switch Box and
Solenoid Valve (BUS-applicable)**



**Ball Valve with pneumatic
Actuator, Solenoid Valve and
Manual Emergency Operation**



**Ball Valve with electrical
Actuator and Manual Emergency
Hand Wheel Operation**