

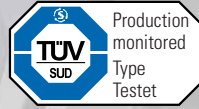


single-position
multi-position
load holding
full disengagement

Model SK1



MODEL SK1/SKP

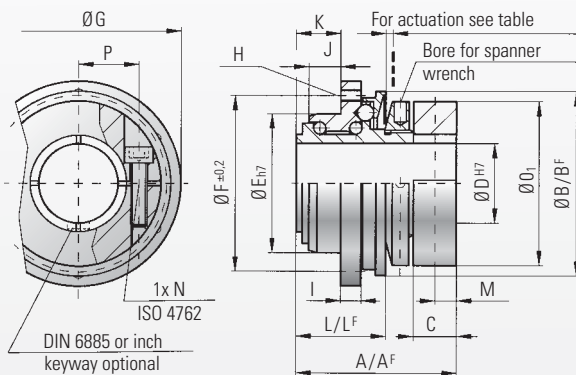


BACKLASH FREE TORQUE LIMITER

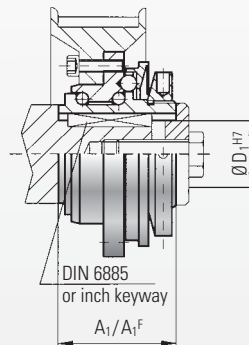
with conical clamp connection

Miniature Design Series 1.5 - 10

SK 1 with clamping hub



SKP with keyway connection



Material

High-strength steel

Design

Model SK1 from 1.5-10 Nm with clamping hub
Model SK1 from 15-2,800 Nm with conical clamp
Optional clamping hub available upon request

Model SKP with keyway connection

Temperature range:

-30° C to +120° C
Temperature peaks up to +150° C

Backlash:

Absolutely backlash-free as a result of the frictional clamp connection and the patented R+W principle

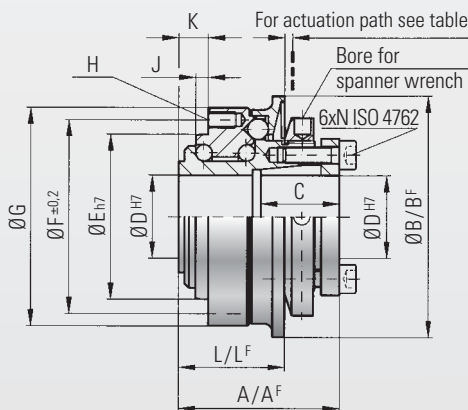
Service life:

These couplings are maintenance-free and have extreme service life as long as all of the ratings are not exceeded.

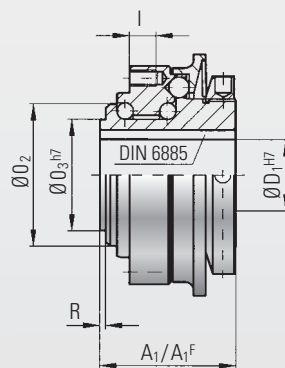
Optional sealed version for wash down and foodservice application.
See page 16

Design Series 15-2,500

SK 1 with conical clamp

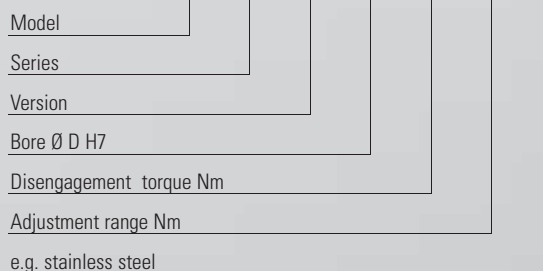


SKP with keyway connection



Ordering specifications

SK1 / 10 / W / 14 / 4 / 2-6 / xx



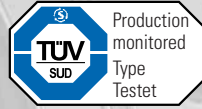
Possible versions

W = Single-position engagement
D = Multi-position engagement
G = Load holding
F = Full disengagement

For the maximum permissible radial load capacity for all SK 1 / SKP models, see installation instructions on page 14

optional
stainless
steel

single-position
multi-position
load holding
full disengagement



Model SKP

with keyway connection

Model SK 1/SKP		Miniature Design													
		Series													
		1.5	2	4.5	10	15	30	60	150	200	300	500	800	1500	2500
Adjustment range available from - to (approx. values) (Nm)	T_{KN}	0.1-0.6 0.4-1 0.8-2	0.2-1.5 0.5-2.2 1.5-3.5	1-3 2-4.5 3-7	2-6 4-12 7-18	5-15 12-25 20-40 35-70	5-20 10-30 20-60 50-100	10-30 25-80 50-115	20-70 45-150 80-225	30-90 60-160 140-280 250-400	100-200 150-240 220-440	80-200 200-350 320-650	400-650 500-800 650-950	600-800 700-1200 1000-1800	1500-2000 2000-2500 2300-2800
Adjustment range available from - to (approx. values) (full disengagement) (Nm)	T_{KN}^F	0.3-0.8 or 0.6-1.3	0.5-2	2.5-4.5	2-5 4-10 8-15	7-15	8-20 or 16-30	10-30 20-40 30-60	20-60 40-80 80-150	80-140 or 130-200	120-180 or 160-300	50-150 100-300 250-500	200-400 or 450-850	1000-1250 or 1250-1500	1400-2200 or 1800-2700
Overall length (mm)	A	23	28	32	39	40	50	54	58	63	70	84	95	109	146
Overall length (full disengagement) (mm)	A^F	23	28	32	39	40	50	54	58	66	73	88	95	117	152
Overall length A1 (mm)	A_1	15.5	20	22	28	34	43	46	48.5	54	57	71.5	80	93	135
Overall length A1 (full disengagement) (mm)	A_1^F	15.5	20	22	28	34	43	46	48.5	57	60	75	91	110	141
Actuation ring \varnothing (mm)	B	23	29	35	45	55	65	73	92	99	120	135	152	174	242
Actuation ring \varnothing (full disengagement) (mm)	B^F	24	32	42	51.5	62	70	83	98	117	132	155	177	187	258
Clamping fit length (mm)	C	7	8	11	11	19	22	27.5	32	32	41	41	49	61	80
Inner diameter from \varnothing bis \varnothing H7 (mm)	D	4-8	4-12	5-14	6-20	8-22	12-22	12-29	15-37	20-44	25-56	25-56	30-60	35-70	50-100
Inner diameter max. \varnothing H7 (mm)	D_1	8	10	12	16	19	25.4	30	38	44	50	58	60	73	95
Pilot diameter h7 (mm)	E	14	22	25	34	40	47	55	68	75	82	90	100	125	168
Bolt-hole circle diameter ± 0.2 (mm)	F	22	28	35	43	47	54	63	78	85	98	110	120	148	202
Flange outside diameter -0.2 (mm)	G	26	32	40	50	53	63	72	87	98	112	128	140	165	240
Thread	H	4xM2	4xM2.5	6xM2.5	6xM3	6xM4	6xM5	6xM5	6xM6	6xM6	6xM8	6xM8	6xM10	6xM12	6xM16
Thread depth (mm)	I	3	4	4	5	6	8	9	10	10	10	12	15	16	24
Centering length -0.2 (mm)	J	2.5	3.5	5	8	3	5	5	5	5	6	9	10	13.5	20
Distance (mm)	K	5	6	8	11	8	11	11	12	12	15	21	19	25	34
Distance (mm)	L	11	15	17	22	27	35	37	39	44	47	59	67	82	108
Distance (mm)	L^F	11.5	16	18	24	27	37	39	41.5	47	51.5	62	75	91	120
Distance (mm)	M	2.5	5	4	5										
Screw ISO 4762	N	M2.5	M3	M4	M4	M4	M5	M5	M6	M6	M8	M8	M10	M12	M16
Tightening torque in (Nm)		1	2	4	4.5	4	6	8	12	14	18	25	40	70	120
Outside diameter clamp ring (mm)	O_1	20	25	32	40										
Diameter (mm)	O_2	13	18	21	30	35	42	49	62	67	75	84	91	112	154
Diameter h7 (mm)	O_3	11	14	17	24	27	32	39	50	55	65	72	75	92	128
Distance between centers (mm)	P	6.5	8	10	15										
Distance (mm)	R	1	1.3	1.5	1.5	2.5	2.5	2.5	2.5	3	3	4	4	4.5	6
Moment of inertia (10^{-3} kgm ²)	J_{ges}	0.01	0.02	0.05	0.07	0.15	0.25	0.50	1.60	2.70	5.20	8.60	20	31.5	210
Approx. weight (kg)		0.03	0.065	0.12	0.22	0.4	0.7	1.0	1.3	2.0	3.0	4.0	5.5	10	28
Actuation path (mm)		0.7	0.8	0.8	1.2	1.5	1.5	1.7	1.9	2.2	2.2	2.2	2.2	3.0	3.0

A^F, B^F, L^F = Full disengagement version