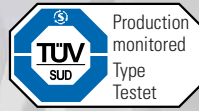




single-position
multi-position
load holding
full disengagement

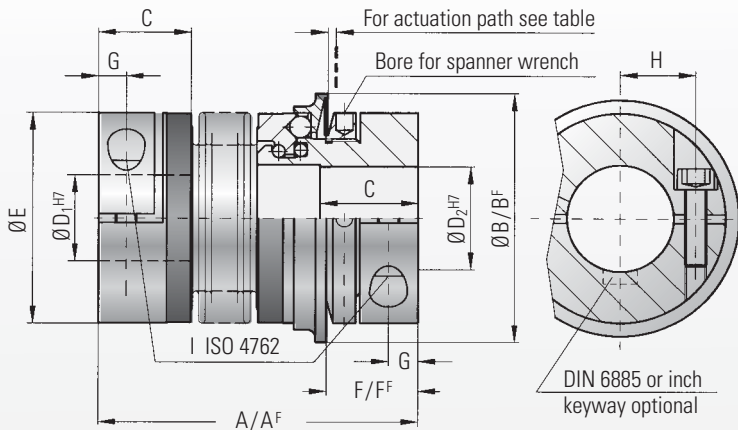


MODEL SK2



BACKLASH FREE TORQUE LIMITER

with clamping hub



Optional sealed version for wash down and food service application. See page 16.

Material:

Bellows made of highly elastic stainless steel
Torque limiter section: High strength hardened steel
Hub material: up to series 80 aluminium from series up 150 steel

Design:

With a single radial clamping screw per hub

Temperature range:

-30° C to +120° C

Backlash:

Absolutely backlash free as a result of the frictional clamp connection and the patented R+W principle

Service life:

These coupling are maintenance free and have extreme service life as long as the performance limits are not exceeded.

Fit tolerance:

Tolerance between hub and shaft 0.01-0.05 mm

Ordering specifications:

see page 11

Model SK 2		Series																	
		1.5	2		4.5	10		15	30		60	80	150		200	300		500	800
Adjustment range available from - to (approx. values) (Nm)	T_{KN}	0.1-0.6 0.4-1 0.8-1.5	0.2-1.5 or 0.5-2	1-3 or 3-6	2-6 or 4-12	5-10 or 8-20	10-25 or 20-40	10-30 or 25-80	20-70 or 30-90	20-70 45-150 80-180	30-90 60-160 120-240	100-200 150-240 200-320	80-200 200-350 300-500	400-650 500-800 650-850	650-800 700-1200 1000-1800				
Adjustment range available from - to (approx. values) (full disengagement) (Nm)	T_{KN}	0.3-0.8 or 0.6-1.3	0.5-2	2.5-4.5	2-5 or 5-10	7-15	8-20 or 16-30	20-40 or 30-60	20-60 40-80 80-150	20-60 40-80 80-150	80-140 or 130-200	120-180 or 160-300	60-150 100-300 250-500	200-400 or 450-800	1000-1250 or 1250-1500				
Overall length (mm)	A	42	46 51	57 65	65 74	75 82	87 95	102 112	115 127	116 128	128 140	139 153	163 177	190	223				
Overall length, (full disengagement) (mm)	A ^F	42	46 51	57 65	65 74	75 82	87 95	102 112	117 129	118 130	131 143	142 156	167 181	201	232				
Actuation ring Ø (mm)	B	23	29	35	45	55	65	73	92	92	99	120	135	152	174				
Actuation ring Ø (full disengagement) (mm)	B ^F	24	32	42	51.5	62	70	83	98	98	117	132	155	177	187				
Fit length (mm)	C	11	13	16	16	22	27	31	35	35	40	42	51	48	67				
Inner diameter from Ø to Ø H7 (mm)	D ₁ /D ₂	3-8	4-12	5-14	6-20	10-26	12-30	15-32	19-42	19-42	24-45	30-60	35-60	40-75	50-80				
Outer diameter of coupling (mm)	E	19	25	32	40	49	55	66	81	81	90	110	123	134	157				
Distance (mm)	F	12	13	15	17	19	24	30	31	31	35	35	45	50	63				
Distance (full disengagement) (mm)	F ^F	11.5	12	14	16	19	22	29	31	30	33	35	43	54	61				
Distance (mm)	G	3.5	4	5	5	6.5	7.5	9.5	11	11	12.5	13	17	18	22.5				
Distance between centers (mm)	H	6	8	10	15	17	19	23	27	27	31	39	41	2x48	2x55				
ISO 4762 screws	I	M2.5	M3	M4	M4	M5	M6	M8	M10	M10	M12	M12	M16	2xM16	2xM20				
Tightening torque (Nm)	I	1	2	4	4.5	8	15	40	50	70	120	130	200	250	470				
Approx. weight (kg)		0.035	0.07	0.2	0.3	0.4	0.6	1.0	2.0	2.4	4.0	5.9	9.6	14	21				
Moment of inertia (10 ⁻³ kgm ²)	J _{ges}	0.01	0.01 0.01	0.02 0.02	0.06 0.07	0.10 0.15	0.27 0.32	0.75 0.80	1.80 1.90	2.50 2.80	5.10 5.30	11.5 11.8	22.8 23.0	42.0	83.0				
Torsional stiffness (10 ³ Nm/rad)	C _T	0.07	1.2 1.3	7 5	9 8	20 15	39 28	76 55	129 85	175 110	191 140	420 350	510 500	780	1304				
Lateral misalignment max. (mm)		0.15	0.15 0.20	0.20 0.25	0.20 0.30	0.15 0.20	0.20 0.25	0.20 0.25	0.20 0.25	0.20 0.25	0.20 0.25	0.25 0.30	0.25 0.30	0.30 0.35	0.35 0.35				
Angular misalignment max. (degrees)		1	1 1.5	1.5 2	1.5 2	1 1.5	1 1.5	1 1.5	1 1.5	1 1.5	1.5 2	1.5 2	2 2.5	2.5	2.5				
Lateral spring stiffness (N/mm)		70	40 30	290 45	280 145	475 137	900 270	1200 420	920 255	1550 435	2040 610	3750 1050	2500 840	2000	3600				
Actuation path (mm)		0.7	0.8	0.8	1.2	1.5	1.5	1.7	1.9	1.9	2.2	2.2	2.2	2.2	3				

A^F, B^F, F^F = Full disengagement version

(smaller sizes on request)