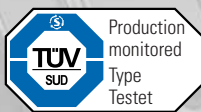


optional
stainless
steel

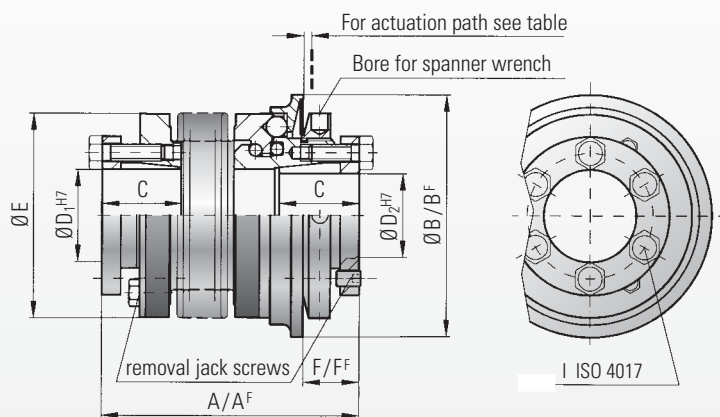
single-position
multi-position
load holding
full disengagement



MODEL SK3

BACKLASH FREE TORQUE LIMITER

with tapered clamp connection



Optional sealed version for wash down and foodservice application. See page 16.

Material:

Bellows made of highly elastic stainless steel
Torque limiter section: High strength hardened steel
Hub material: Steel

Design:

With slotted tapered conical sleeves and removal jack screws

Temperature range:

-30° C to +120° C

Backlash:

Absolutely backlash free as a result of the frictional clamp connection and the patented R+W principle

Service life:

These couplings are maintenance free and have extreme service life as long as the performance limits are not exceeded.

Fit tolerance:

Tolerance between hub and shaft 0.01-0.05 mm

Ordering specifications:

see page 11

Model SK 3		Series																			
		15		30		60		150		200		300		500		800		1500		2500	
Adjustment range available from (approx. values) (Nm)	T_{KN}	5-10 or 8-20		10-25 or 20-40		10-30 or 25-80		20-70 45-150 80-200		30-90 60-160 140-280		100-200 150-240 220-400		80-200 200-350 300-500		400-650 500-800 600-900		650-850 700-1200 1000-1800		1500-2000 2000-2500 2300-2800	
Adjustment range available from (approx. values) (full disengagement) (Nm)	T_{KN}	7-15		8-20 or 16-30		20-40 or 30-60		20-60 40-80 80-150		80-140 or 130-200		120-180 or 160-300		60-150 100-300 250-500		200-400 or 450-800		1000-1250 or 1250-1500		1400-2200 or 1800-2700	
Overall length (mm)	A	62	69	72	80	84	94	93	105	99	111	114	128	123	136	151	175	246			
Overall length (full disengagement) (mm)	A ^F	62	69	72	80	84	94	93	105	102	114	117	131	127	140	151	184	252			
Actuation ring Ø (mm)	B	55		65		73		92		99		120		135		152		174		243	
Actuation ring Ø (full disengagement) (mm)	B ^F	62		70		83		98		117		132		155		177		187		258	
Fit length (mm)	C	19		22		27		32		32		41		41		49		61		80	
Inner diameter from Ø to Ø H7 (mm)	D ₁ /D ₂	10-22		12-23		12-29		15-37		20-44		25-56		25-60		30-60		35-70		50-100	
Outer diameter of coupling (mm)	E	49		55		66		81		90		110		123		133		157		200	
Distance (mm)	F	13		16		18		19		19		23		25		31		30		34	
Distance (full disengagement) (mm)	F ^F	13		14		17		18		17		20		22		20		26		31	
6x ISO 4017	I	M4		M5		M5		M6		M6		M8		M8		M10		M12		M16	
Tightening torque (Nm)	I	4		6		8		12		14		18		25		40		70		120	
Approx. weight (kg)		0.3		0.4		1.2		2.3		3.0		5.0		6.5		9.0		16.3		35	
Moment of inertia (10 ⁻³ kgm ²)	J _{ges}	0.10	0.15	0.28	0.30	0.75	0.80	1.90	2.00	2.80	3.00	5.50	6.00	11.0	12.8	20	42	257			
Torsional stiffness (10 ³ Nm/rad)	C _T	20	15	39	28	76	55	175	110	191	140	420	350	510	500	780	1304	3400			
Lateral misalignment max. (mm)		0.15	0.20	0.20	0.25	0.20	0.25	0.20	0.25	0.25	0.30	0.25	0.30	0.30	0.35	0.35	0.35	0.35			
Angular misalignment max. (degrees)		1	1.5	1	1.5	1	1.5	1	1.5	1.5	2	1.5	2	2	2.5	2.5	2.5	2.5			
Lateral spring stiffness (N/mm)		475	137	900	270	1200	380	1550	435	2040	610	3750	1050	2500	840	2000	3600	6070			
Actuation path (mm)		1.5		1.5		1.7		1.9		2.2		2.2		2.2		2.2		3		3	

A^F, B^F, F^F = Full disengagement version