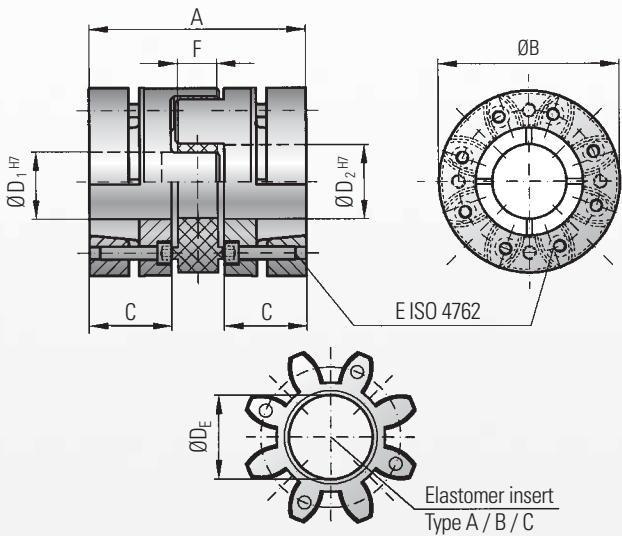


optional  
stainless  
steel

# MODEL EK6

## BACKLASH FREE ELASTOMER COUPLINGS



with conical clamping ring

### Properties:

- high clamping forces
- concentrically machined
- easy mounting
- damps vibrations
- electrical insulating
- backlash-free
- press-fit design
- axial mounting possible

### Material:

Clamping hub and conical clamping: up to series 450 high strength aluminum, from series 800 and up steel  
Elastomer insert: precision molded, wear resistant, and thermally stable polymer

### Design:

Two coupling hubs are concentrically machined with concave driving jaws

### Tolerance:

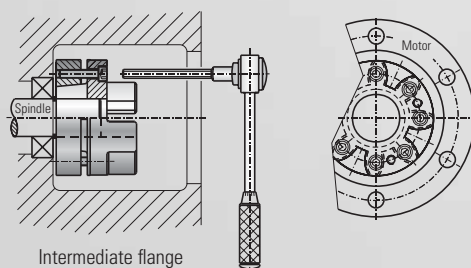
On the hub/shaft connection 0.01 to 0.05 mm

Model EK 6	Series																				
	10			20			60			150			300			450			800		
Type (Elastomer insert)	A	B	C	A	B	C	A	B	C	A	B	C	A	B	C	A	B	C	A	B	C
Rated torque (Nm) $T_{KN}$	12.6	16	4	17	21	6	60	75	20	160	200	42	325	405	84	530	660	95	950	1100	240
Max. torque (Nm) $T_{Kmax}$	25	32	6	34	42	12	120	150	35	320	400	85	650	810	170	1060	1350	190	1900	2150	400
Overall length (mm) A	42			56			64			76			96			110			138		
Outer diameter (mm) B	32			43			56			66			82			102			136.5		
Mounting length (mm) C	15			20			23			28			36			42			53		
Inner diameter range H7 (mm) $D_{1/2}$	6 - 16			8 - 24			12 - 32			19 - 35			20 - 45			28 - 55			32 - 80		
Inner diameter max. (elastomer) (mm) $D_E$	14.2			19.2			26.2			29.2			36.2			46.2			60.5		
Mounting screw (ISO 4762/12.9) E	3x M3			6x M4			4x M5			8x M5			8x M6			8x M8			8x M10		
Tightening torque of the mounting screw (Nm)	2			3			6			7			12			35			55		
Width Elastomer insert (mm) F	9.5			12			14			15			18			20			25		
Moment of inertia per Hub ( $10^{-3} \text{ kgm}^2$ ) $J_1/J_2$	0.01			0.015			0.08			0.15			0.4			1.3			9.2		
Approx. weight (kg)	0.08			0.12			0.3			0.5			0.9			1.5			9.6		
Speed (rpm)	20 000			19 000			14 000			11 500			9 500			8 000			4 000		

Information about static and dynamic torsional stiffness as well as max. possible misalignment see page 5

1 Nm = 8.85 in lbs

Access holes in the mounting flange are not necessary for EK 6 couplings. The unique assembly screw design (shown below) allows for easy axial mounting and dismounting of the coupling.



### Ordering example

EK6 / 60 / A / 19.05 / 24 / XX

Model	EK6
Series	60
Type Elastomer insert	A
Bore Ø D1 H7	19.05
Bore Ø D2 H7	24
Non standard e.g. anodized	XX

All data is subject to change without notice.