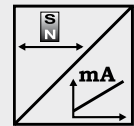




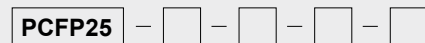
Ultra flat POSICHRON® position sensor

- Only 8 mm high and 28 mm wide
- Protection class IP64
- Measurement range 0 ... 100 to 0 ... 5500 mm
- Absolute position measurement
- No power supply for the position magnet
- Absolutely wear and maintenance free
- Wide variety of mounting
- Analog output



Specifications		
Output	Current	4 ... 20 mA, 3 wire
Resolution		Refer to output specification
Sampling rate		Up to 1 kHz, depending on the measurement range
Linearity		L10: ±0.5 mm for ranges ≤500 mm ±0.10 % f.s. for ranges >500 mm
Repeatability		±0.1 mm, other values on request
Material		Aluminium and plastic
Protection class		IP64
Connection		Cable, standard length 2 m
Shock		EN 60068-2-27:1993, 50 g/11 ms, 100 shocks
Vibration		EN 60068-2-6:1995, 20 g 10 Hz-2 kHz, 10 cycles
EMC, temperature		Refer to output specification

Order code PCFP25



Model name

Measurement range (in mm)

100 ... 5500 in 10 mm increments
Other ranges on request

Output

420T = with 4 ... 20 mA signal conditioner (3 wire)

Linearity

L10 (for definition see "Specifications" above), other linearities upon request

Connection

KAB2M = Cable, standard length 2 m, other lengths upon request

Order code mounting set

PCFP25-BFS1

Order code position magnet

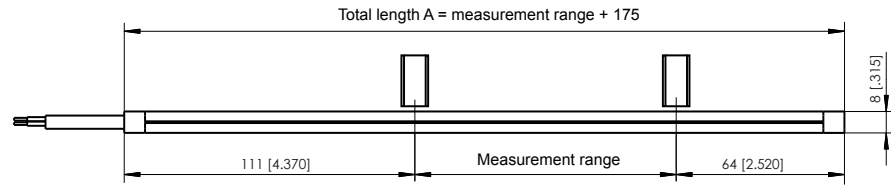
PCMAG5

Order example: PCFP25 - 1500 - 420T - L10 - KAB2M

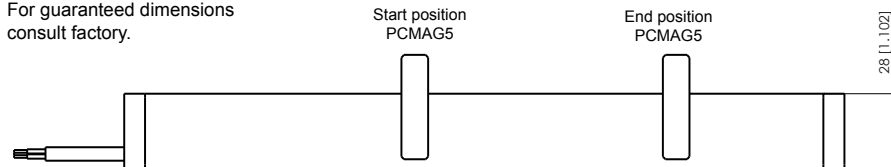
POSICHRON[®] PCFP25 Profile Design with analog Output



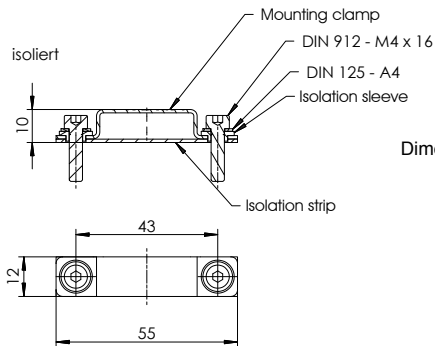
Outline drawing



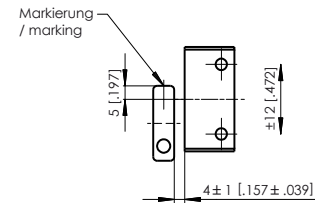
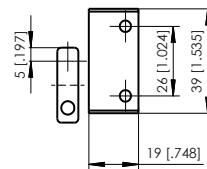
Dimensions informative only.
For guaranteed dimensions
consult factory.



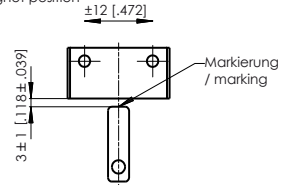
Mounting set PCFP25-BFS1 with mounting clamps



Dimensions in mm [inch]

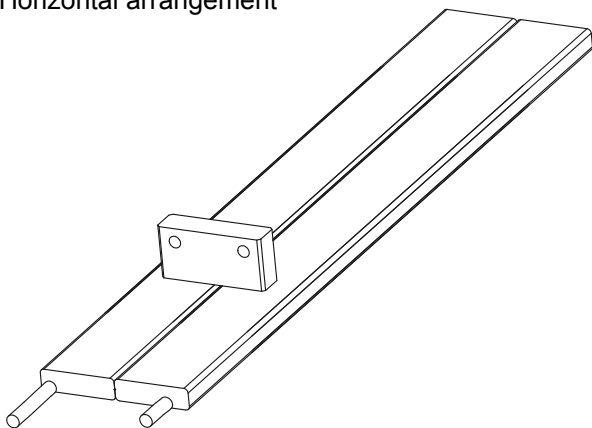


alternative Magnetanordnung
/ alternative magnet position



Redundant version

Horizontal arrangement



Vertical arrangement

