

AWAX 26XXL AND AWAX 27XXL

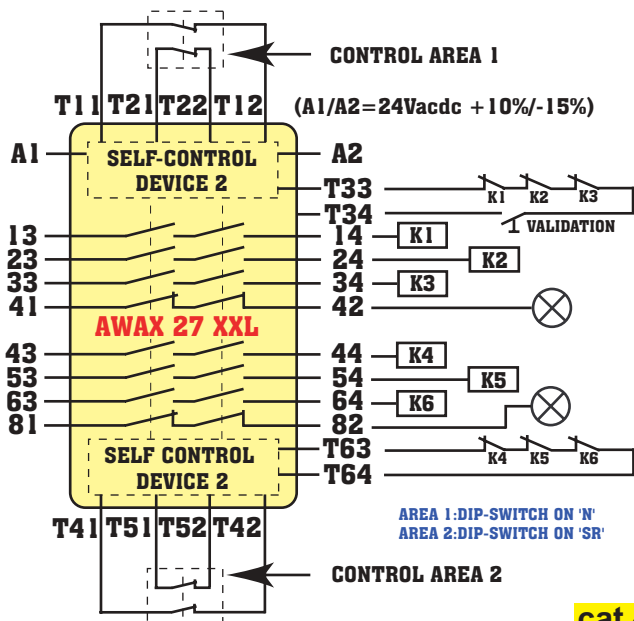
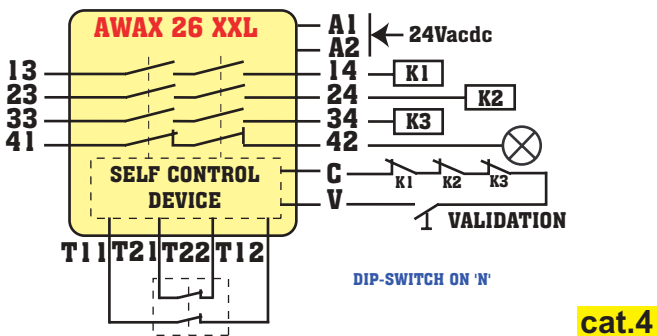
MULTI-FUNCTION MODULES

- Low consumption inputs
- Control of switches with Acotom® process
- Control of mechanical safety systems (grip switch, foot switch...)
- Dip switch to choose reset mode (automatic/manual)
- DLC system
- Dual area control (Awax27XXL)
- Power supply 24Vac/dc
- 22,5 mm or 45 mm housing
- Plug-in terminals

SAFETY CATEGORY

AWAX26XXL : category 4 according to EN 954-1
AWAX27XXL : category 4 according to EN 954-1
 EN 292, EN 418, EN 1088, EN 60204-1

WIRING DIAGRAM



8A/250Vac
8A/50Vdc

CAT. 4

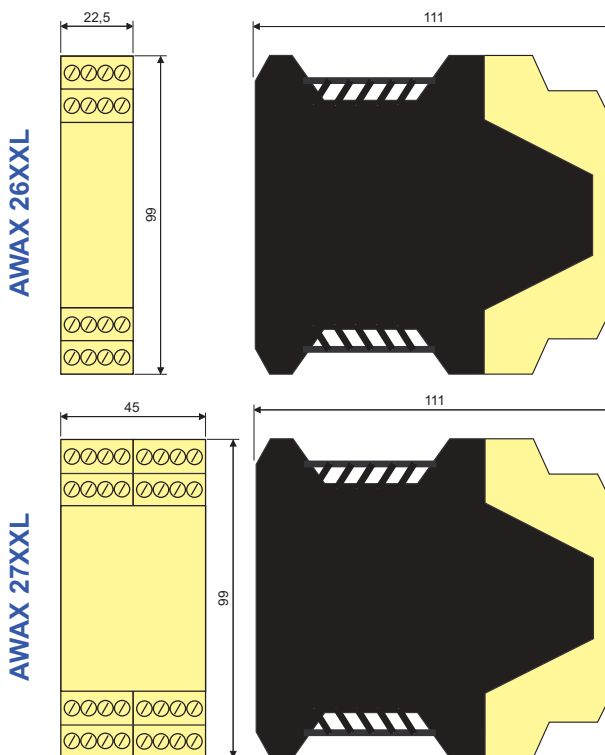
DLC SYSTEM

UP TO 8 LINES

PLUG-IN TERMINALS

POLYVALENT

DIMENSIONS



ADVICE

These safety modules are able to control up to 30 switches when there is an external power supply.