

# MICRONIC 150BXXL AND 250BXXL

## EMERGENCY STOP CONTROL

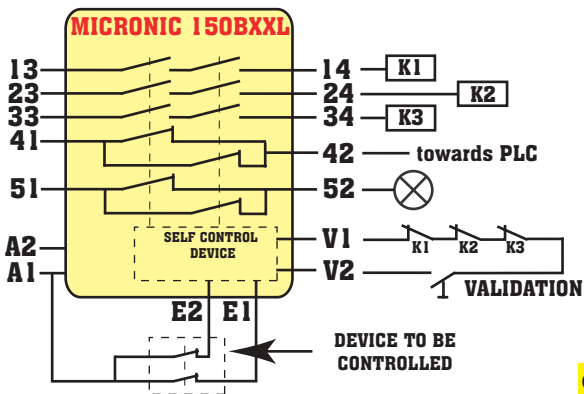
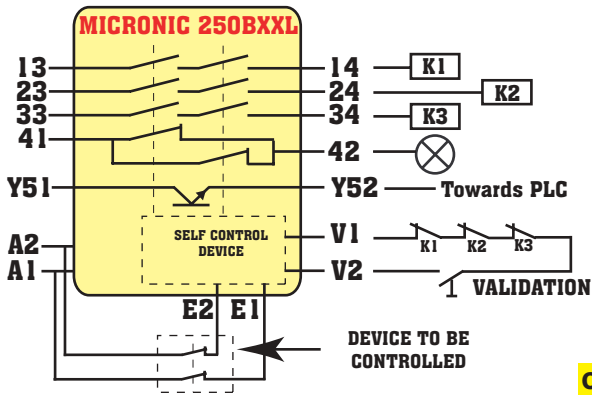
- Control of emergency stops
- Control of mechanical switches
- Control of interlocking devices
- Independent supply inputs to avoid in-rush current
- Plug-in terminals
- Manual reset controlled at release
- Model 24Vdc only
- 22,5 mm housing

### SAFETY CATEGORY

**MICRONIC 150BXXL** : category 2 according to EN 954-1

**MICRONIC 250BXXL** : category 3 according to EN 954-1

### WIRING DIAGRAM



8A/250Vac  
8A/50Vdc

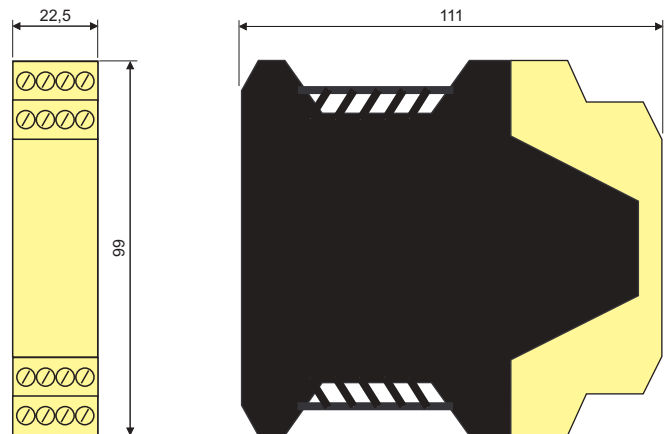
THE SIMPLEST  
SAFETY MODULE



LOW  
CONSUMPTION  
INPUT

IMPULSE  
RESETTING

### DIMENSIONS



### ADVICE

**150BXXL model** : an economical solution to control emergency stops with one or two channels .  
**250BXXL model** : double channel control only.  
Impulse resetting controlled at release.