

SPEEDTRONIC

ZERO SPEED CONTROLLER

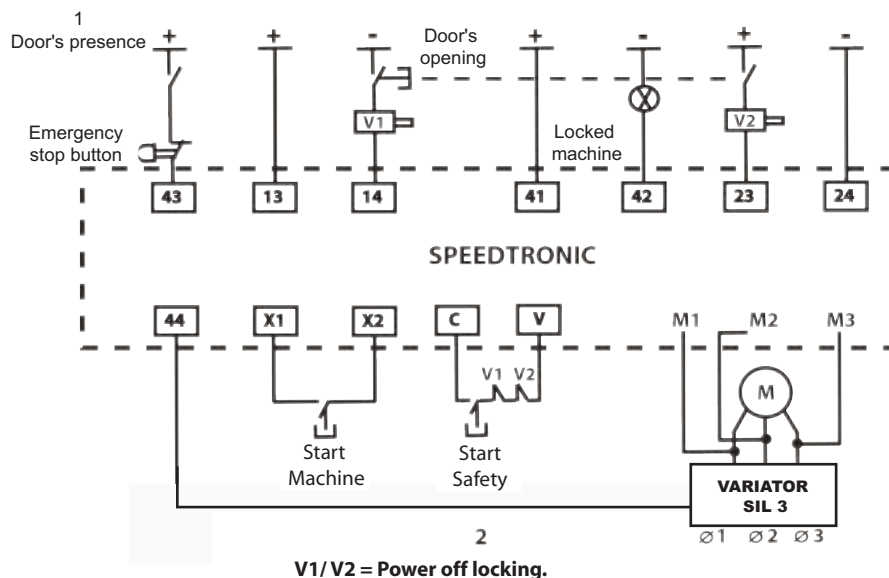
- Control of three-phase-motors
- No adjustment / <7.5 KW
- 3 contacts NO + 1 contact NC 8A/250V
- Interlocking control
- Dip-switch to adjust the reset mode: manual or automatic
- Control of starting circuit
- Compatible with frequency variators
- Power supply : 24Vac/dc
- Three-phase-motor 3 to 440Vac (0.5 to 400 Hz) maximum 1V with overrunning clutch or 0.5 HZ with variator
- Minimum voltage before starting : 1V



SAFETY CATEGORY

SPEEDTRONIC : category 4 according to EN 954-1
Direct starting : category 4 according to EN 954-1

WIRING DIAGRAM



cat.4

APPLICATION

The unit ensures the safety of motor's starting circuit.
 With the SPEEDTRONIC you can be sure that all movements have stopped when you open the door and that you can no longer restart the machine.

DIMENSIONS

