

# EXELTRONIC XXL

## DELAYED MODULE FOR INTERLOCKING CONTROL

- Activation by a dual channel pushbutton with 2 contacts NC
- Short-circuit monitoring of input
- Compatible with safety switches fitted with Acotom process
- 3NO instantaneous contacts for engine control or heating resistances of single- or Three-phase motors
- 2NO+1NC delayed contacts
- Delay time adjustable by incremental coders (from 0 to 999s)
- Power supply : 24Vac/dc

8A/250V  
8A/50Vdc

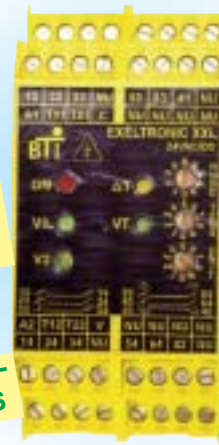
DIGITAL  
PROCESS

DLC  
PROTECTION  
SYSTEM

0~999s  
DELAYING

COPPER PLUG-  
IN TERMINALS

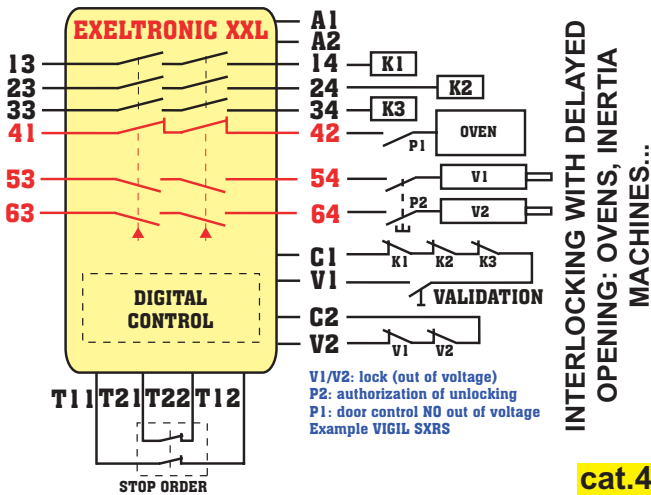
LED  
VISUALISATION



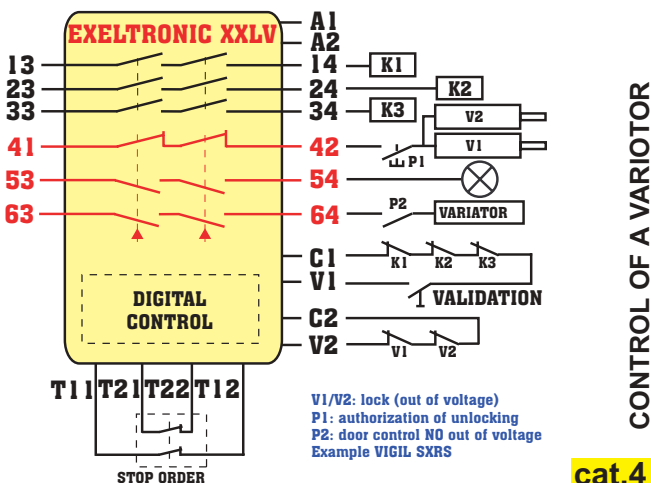
### SAFETY CATEGORY

EXELTRONIC XXL(V) : category 4 according to EN 954-1

### WIRING DIAGRAM

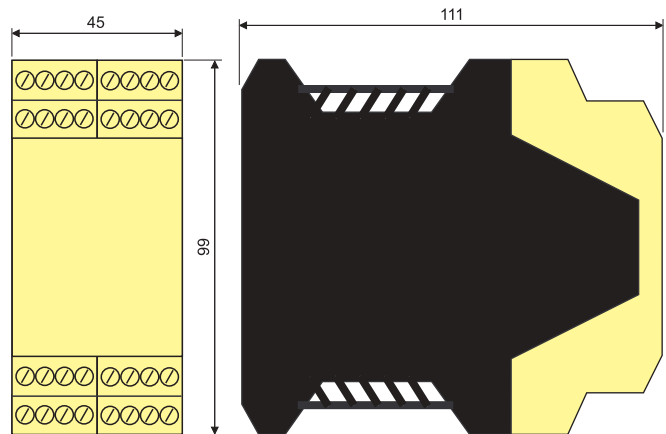


cat.4



cat.4

### DIMENSIONS



This unit incorporates a self-monitoring system of category 4, a digital timing circuit and a reset system. EXELTRONIC XXL controls all the safety gates of a machine. Connected to Anatom safety switch and an interlocking device, it provides an economical safety solution.

### APPLICATION

The unit is to stop the machine and maintain the deceleration of an engine by means of a frequency variator. Then after a determined time, you can unlock the door securely.