

# TIMTRONIC XXL

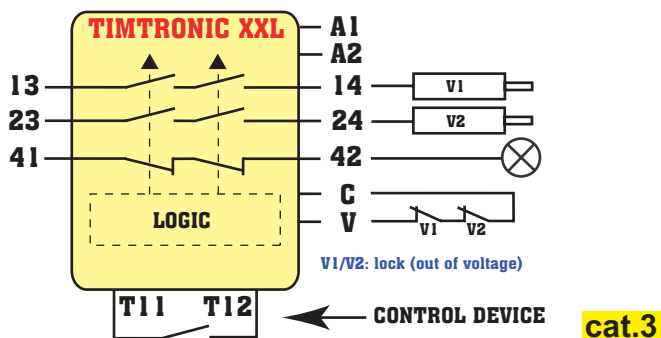
## DIGITAL DELAYED RELEASE MODULE

- Activation by an opening of a NO contact
- Reset to zero each time the contact closes (LED lit off)
- Flashing LED during timing
- Closing of contacts after timing
- Delay time adjustable by incremental coders from 0 to 999s
- 2 NO delayed lines 8A/250V
- 1 NC delayed line 8A/250V
- Power supply : 24Vac/dc
- 22,5 mm housing

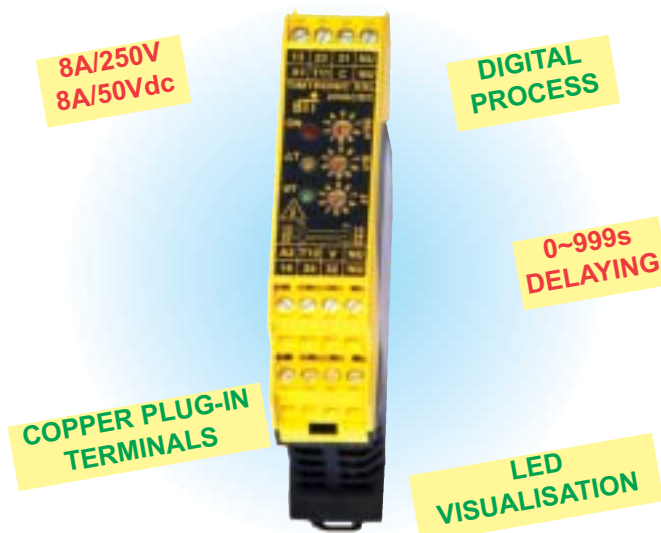
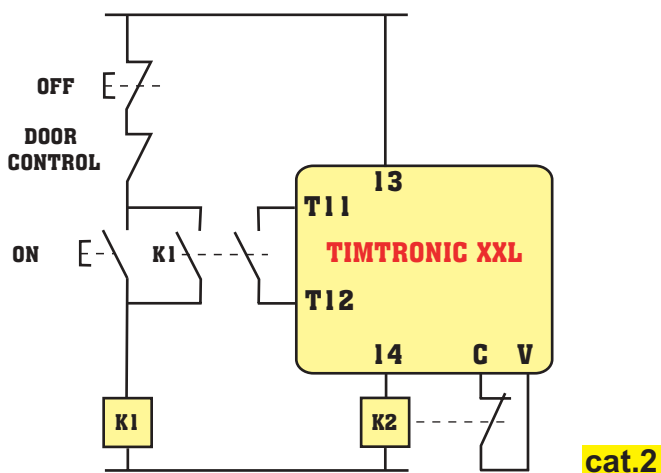
### SAFETY CATEGORY

TIMTRONIC XXL : category 3 selon EN 954-1

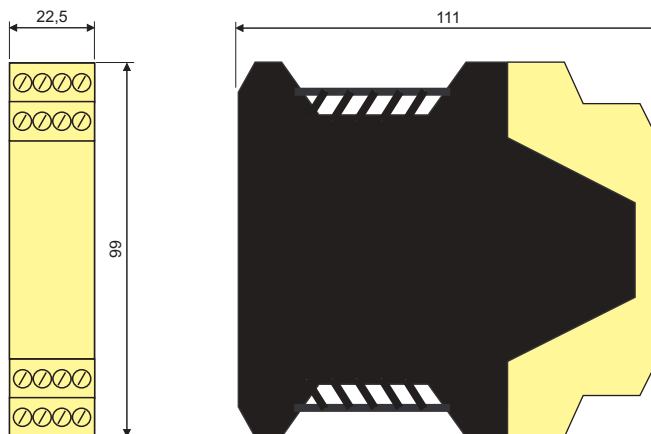
### WIRING DIAGRAM



### FUNCTIONING



### DIMENSIONS



Rising time drift in case of failure which guarantees the access locking.

### APPLICATION

With the Timtronic you can stop the machine and the door will unlock after a chosen delay time.