

# C4TXXL

## DELAYED RELEASE MODULE

- Contact input
- Delaying time ( 300 ms to 8s +/-20%) defined at purchase
- 3NO delayed lines 6A/250Vac
- 1NC delayed line 6A/250Vac
- Power supply : 24Vac/dc or 120/240 V
- Decreasing time drift in case of failure

6A/250V

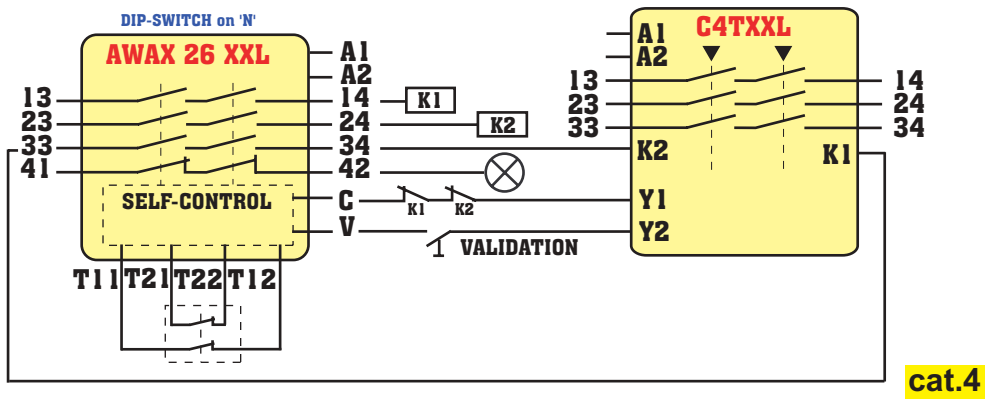


COPPER PLUG-IN TERMINALS

### SAFETY CATEGORY

C4TXXL : category 4 according EN 954-1 if connected to appropriate safety module (ex: AWAX26XXL)

### WIRING DIAGRAM



### DIMENSIONS

