

# C4CK

## SAFETY CONTACTOR WITH A LOCKING DEVICE

### Version A

- Key locked and turned : 4NO+1NC 8A/250V
- Key removed : 4NC+1NO 8A/250V

### Version B

- Key locked and turned : 4NC+1NO 8A/250V
- Key removed : 4NO+1NC 8A/250V

### Versions A and B

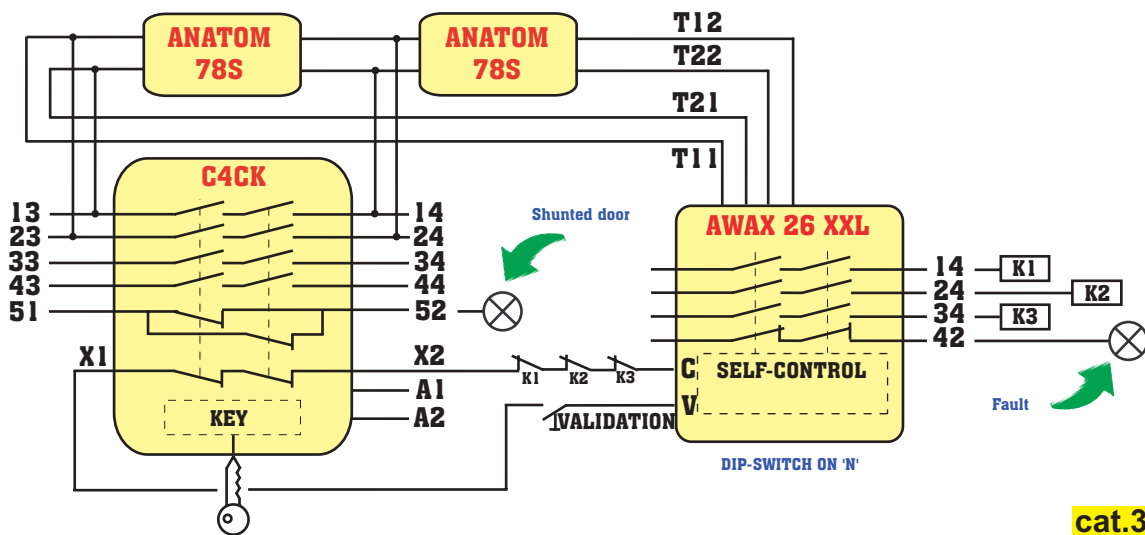
- 1 line for cyclical test and 2 LEDs
- Can work in association with the safety switch AMX5CK

### SAFETY CATEGORY

**C4CK** : category 4 according to EN 954-1 with a safety module (ex : AWAX26XXL)

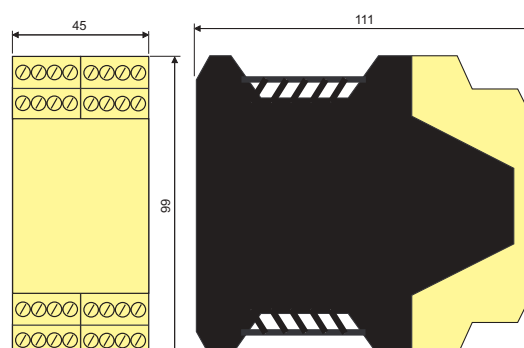


### WIRING DIAGRAM



cat.3

### DIMENSIONS



### APPLICATION

- \* Locking of one area by shunting the safety of an access
- \* Interlocking system with the switch AM5CK.