

STAND-ALONE without safety module

FURTIF 2SSR

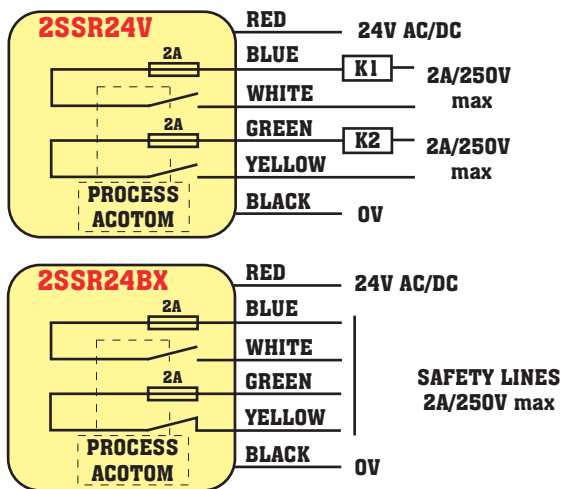
NON-CONTACT MULTICODE SAFETY SWITCH FOR THE POSITIONING OF MOVING PROTECTORS

- Detection distance/hysteresis/misalignment : 4 /+2 /±5 (mm)
- 2 NO 2A/250V (ref : 2SSR24V)
- 1NO+1NC 2A/250V (ref : 2SSR24BX)
- Red LED indication of absence of actuator
- Mounting brackets and moulded cable
- Polycarbonate housing
- Protection class IP67
- Temperature -20°C to +60°C
- 8 codes (001 to 008)

SAFETY CATEGORY

2SSR24V and BX : category 1 according to EN954-1 category 2 with periodical check
Switches in series + safety module : category 3
Category 4 if only one switch + safety module

WIRING DIAGRAM



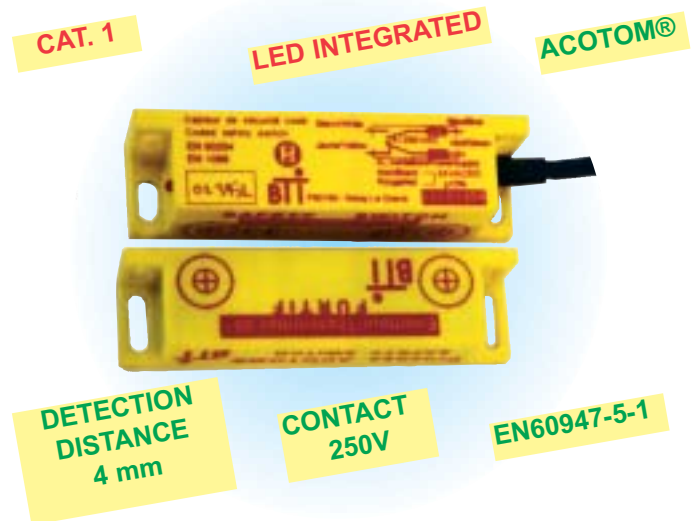
cat.1

cat.1

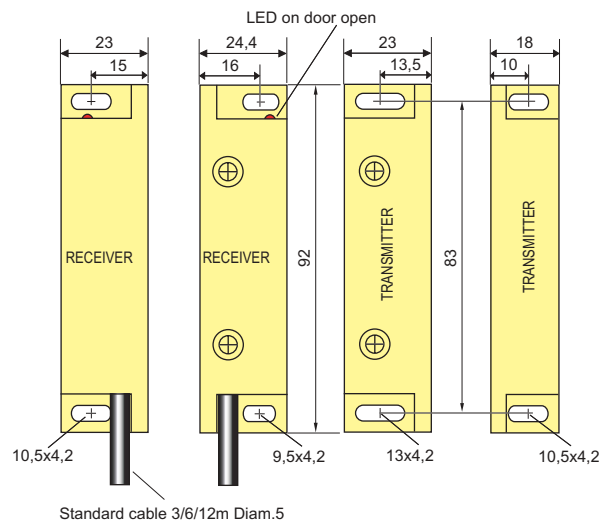


Adapted to the machine where danger is close to the protector.

Our switches are equipped with a 2A fuse in order to guarantee the electrical protection : it protects 1/4 of the maximum admissible current by the contacts.



DIMENSIONS



ADVICE

The small detection distance and hysteresis is adapted to position control : e.g. rotary machining centers