



Safety is for life.™

PRODUCT INFORMATION



QUENCH VALVES FOR SPACE-SAVING BI-DIRECTIONAL ISOLATION

Quench valves QV II and QV III are isolation devices. This protective system prevents an explosion pressure wave and flame propagating via connecting pipes into other equipment sections or plant areas. For this reason the quench valve is connected to a controller (EXKOP® Express or EXKOP® TriCon)*. In the case of an explosion, the controller receives a trigger signal (e.g. from the signalling unit of the Q-Rohr® or an explosion vent, from a pressure switch or spark detector) and activates the connected quench valves. These close within a few milliseconds and thus prevent the explosion from spreading to adjacent plant components. After being triggered, the quench valves can be put back in operation once again at the touch of a button.

Additional functions:

- Spark arrester (e.g. between a mill and the product filter)
- Overpressure limiter (e.g. between a silo vehicle and the silo)

Made in Germany



Your advantages

- **Compact design** for flexible integration into the production process.
- **High level of safety** due to very rapid closing times.
- **Returns to operation immediately** after triggering.
- **Fail Safe mechanism** automatically closes the valve if the power supply fails or the valve is manipulated.

*Detailed information concerning controllers can be found in the related product information.



ATEX EC type examination certificate no. FSA 04 ATEX 1537 X FSA 15 ATEX 1659 X



Certified in accordance with EN 15089

Technical data*	QV II		QV III	
Diameter nominal**	DN 80 – DN 200	DN 250	DN 300 – DN 600	
Housing material	Alu, painted (RAL 1015)	St 37.2, painted (RAL 1015)		
Flanges	acc. to EN 1092-1 Type 11 (PN 10)***			
Operating limits	Medium	organic and chemical dusts		
	K_{St}	≤ 300 bar × m/s	≤ 200 bar × m/s	≤ 300 bar × m/s
	P_{max}	≤ 10 bar		
	MIE	≥ 3 mj		
	P_{red}	≤ 2.0 bar	≤ 1.0 bar	≤ 2.0 bar
Allowable flow rate	≤ 30 m/s			
ATEX category (indoor/outdoor)	1D/3D			
Suitable for use in food processing industry	Yes			
Ambient temperature	+ 5 to + 60 °C****			
Installation position	Any			
Power supply	24 VDC from EXKOP® II controller			
Compressed air supply	6.0 bar gauge pressure from system network			
Compressed air connection	8 mm (Festo)			
Protection type	IP 65			

*Our specialists will be pleased to assist you in finding a solution that matches your specific operating conditions.

**Other nominal diameters available on request.

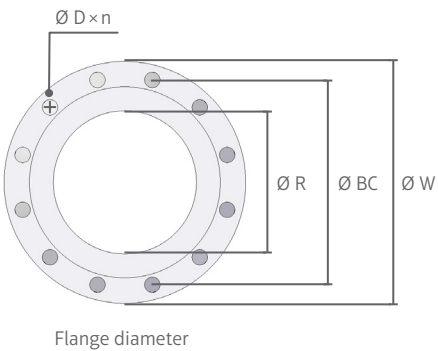
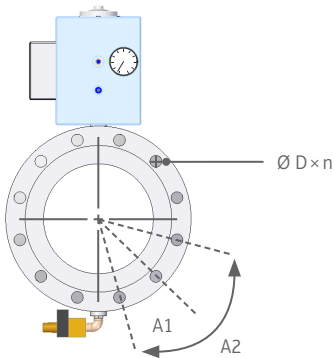
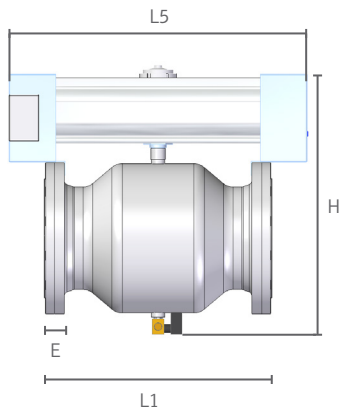
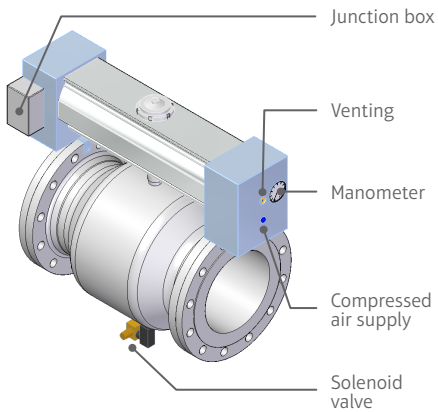
***Replaces DIN 2632, PN 10

****Other ambient temperature available on request.



Safety is for life.™

PRODUCT INFORMATION



Dimensions QV II

		EXKOP® QV II - 3	EXKOP® QV II - 4	EXKOP® QV II - 5	EXKOP® QV II - 6	EXKOP® QV II - 8	EXKOP® QV II - 10
Diameter nominal	DN	80	100	125	150	200	250
Length L1	[mm]	228	282	350	420	555	610
Length L5	[mm]	400	400	400	400	650	800
Height H	[mm]	520	554	600	652	742	856
E	[mm]	29	35	39	43	60	49
Ø D × n	[mm]	18 × 8	18 × 8	18 × 8	22 × 8	22 × 8	22 × 12
A1		22.5°	22.5°	22.5°	22.5°	22.5°	15°
A2		45° × 8	45° × 8	45° × 8	45° × 8	45° × 8	30° × 12
Ø R	[mm]	80	100	120	145	190	240
Ø BC	[mm]	160	180	210	240	295	350
Ø W	[mm]	200	220	250	285	340	395
Weight	[kg]	13	18	26	35	56	130

Other dimensions available on request.

Mounting distances for QV II with St1

Diameter nominal	DN 80–DN 200	DN 250
Min. mounting distance	6	7
Max. mounting distance	20	8

Mounting distances for QV II with St2

Diameter nominal	DN 80–DN 200	DN 250
Min. mounting distance	8	on request
Max. mounting distance	20	on request



ATEX
EC type examination
certificate no.
FSA 04 ATEX 1537 X

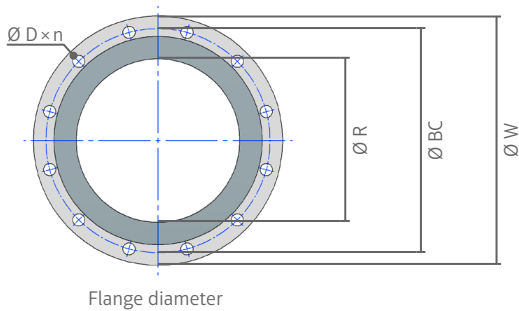
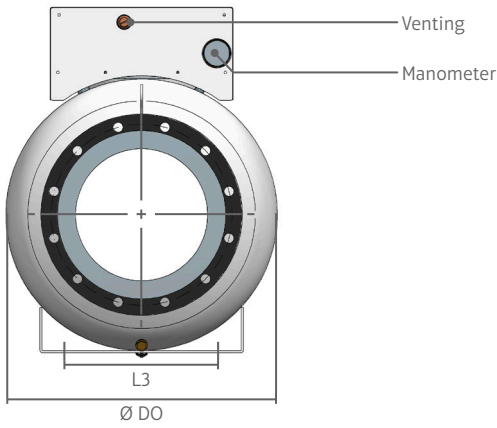
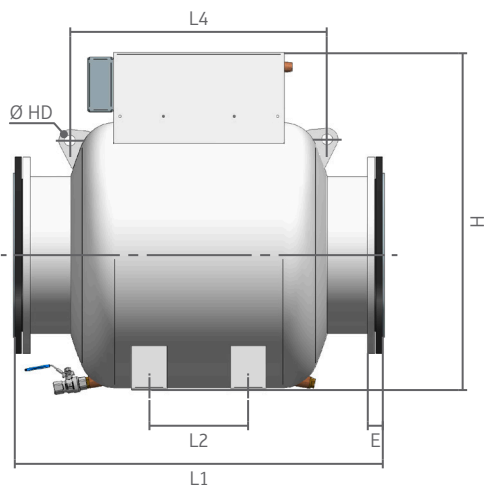
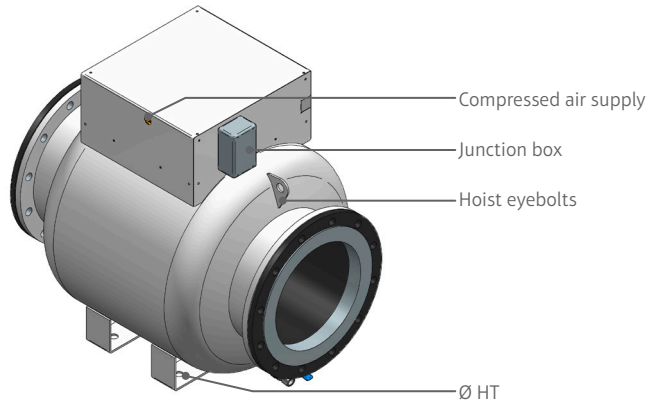


Certified in
accordance with EN 15089



Safety is for life.™

PRODUCT INFORMATION



Dimensions QV III

		EXKOP® QV III - 12	EXKOP® QV III - 16	EXKOP® QV III - 20	EXKOP® QV III - 24
Diameter nominal	DN	300	400	500	600
Ø HT	[mm]	22	22	22	22
Ø HD	[mm]	25	25	25	25
Length L1	[mm]	825	1125	1370	1730
Length L2	[mm]	224	500	679	971
Length L3	[mm]	340	400	450	450
Length L4	[mm]	580	640	1035	1333
Height H	[mm]	780	930	1080	1180
E	[mm]	45	45	45	45
Ø DO	[mm]	600	750	900	1000
Ø D x n	[mm]	22 x 12	26 x 16	26 x 20	30 x 20
Ø R	[mm]	292	392	492	592
Ø BC	[mm]	400	515	620	725
Ø W	[mm]	445	565	670	780
Weight	[kg]	194	391	605	798

Other dimensions available on request.

Mounting distances for QV III with St1

Diameter nominal	DN 300	DN 400 – DN 600
Min. mounting distance	7	8
Max. mounting distance	20	20

Mounting distances for QV III with St2

Diameter nominal	DN 300	DN 400 – DN 600
Min. mounting distance	7	8
Max. mounting distance	20	12



ATEX
EC type examination
certificate no.
FSA 15 ATEX 1659 X



Certified in
accordance with EN 15089