



Safety is for life.™

PRODUCT INFORMATION

# Q-ROHR® G

Flameless venting for  
gas applications



Consulting. Engineering. Products. Service.



# Reliable protection against gas explosions

Are you looking for an economical solution to relieve gas explosions without emissions and without complex additional installations such as catch baskets?

That is exactly what the Q-Rohr® G can offer you. With a quick installation and its minimal dimensions, it can adequately protect systems, peripherals and the environment from the effects of a gas explosion.

Production can be quickly resumed again after an explosion event: Simply replace the explosion vent. However, the Q-Rohr® itself only needs to be refurbished after three explosions.

## Mechanism

The flame gases, which can reach a temperature of up to 1,500°C, are cooled down extremely efficiently in the special stainless steel mesh filter inlet developed by REMBE®. This reduces the discharged gas volumes, thus extinguishing the explosion.



REMBE® offers future-proof solutions!



## Q-Rohr® G

The Q-Rohr® G enables economical flameless venting without any cost-intensive conversion measures like the creation of wall openings.



Made in Germany



Reliable protection against gas explosions: Q-Rohr® G.



### Technical data\*

Burst pressure $P_{stat}$	DN 200 – DN 400: 0,1 bar to 0,5 bar at 22°C DN 500 – DN 1400: 0,05 bar to 0,5 bar at 22°C
Max. red. explosion pressure $P_{red}$	0,1 bar to 1,1 bar
Max. KG value	$\leq 55 \text{ bar} \times \text{m/s}$
Operating temperature	-10° C to +550° C

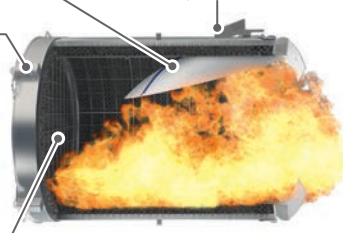
\*Our specialists will be pleased to assist you in finding a solution that matches your specific operating conditions.

Integrated REMBE® explosion vent incl. signalling unit and pre-installed gasket

Explosion-proof housing structure with riveted retention rails, which remains stable even during extremely dynamic explosions

Reusable stainless steel filter with integrated pressure wave absorber

Pre-wired junction box with transformer isolated barrier (intrinsically safe)



Q-Rohr® G components.

### Your advantages

- **Rapid restart of operations.**
- REMBE® stainless steel filter ensures a **high level of noise reduction during normal operation and in the event of an explosion.**
- **Eliminates the need for complex vent ducts and wall openings.**
- **100% leak-tightness, to eliminate danger of asphyxiation.**
- **100% venting efficiency.**
- **Individually definable opening pressure.**
- 100 % stainless steel for **corrosion resistance.**
- **Connection flange in accordance with EN 1092-1 standard and DIN 86044.**
- **No separate safety zones required in outdoor areas.**
- **No maintenance required**, visual inspection by a technician is sufficient.

### Certifications



**Patents:**  
DE 38 22 012;  
US 7,905,244



ATEX  
EC type examination  
certificate no.  
IBEXU 16 ATEX 2029 X

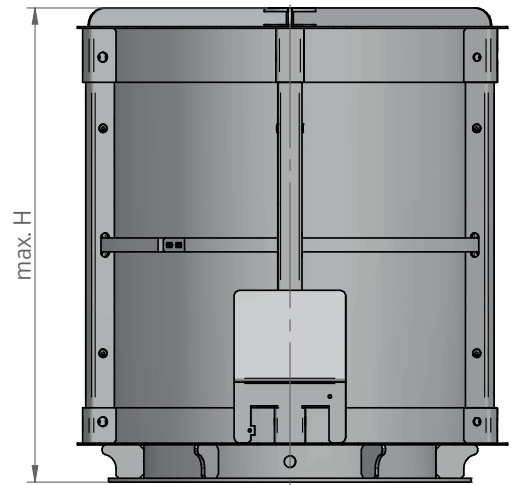
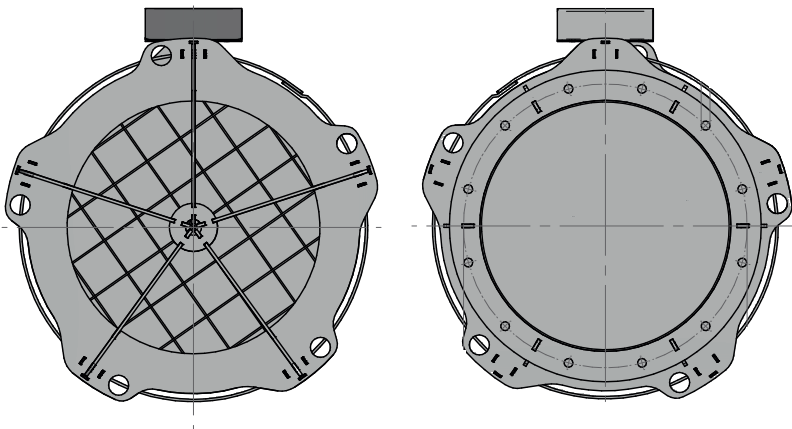
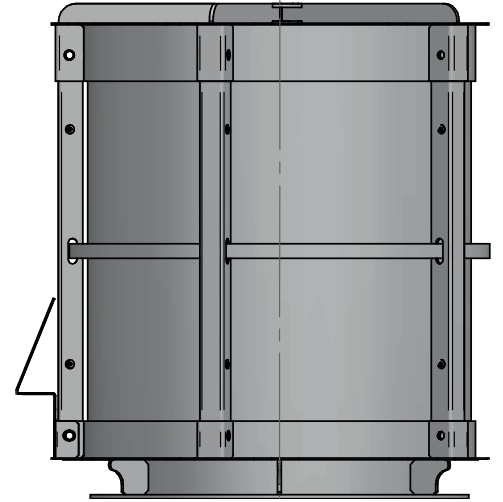
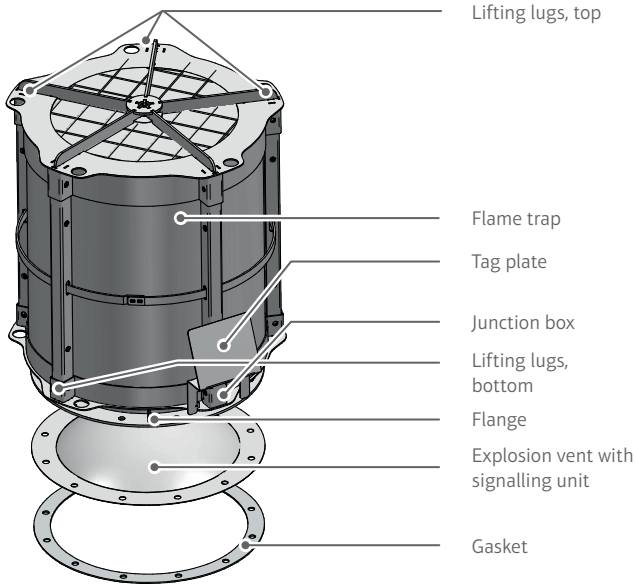
You can find detailed information and contact details for enquiries relating to Q-Rohr® G at [www.rembe.de](http://www.rembe.de)  
Give us a call on: T +49 2961 7405-0, or contact us via email: [info@rembe.de](mailto:info@rembe.de).





Safety is for life.™

## PRODUCT INFORMATION



### Technical data

<b>DN [mm]</b>	200	300	400	500	600	700	800	900	1000	1100	1200	1300	1400
<b>max. H [mm]</b>	400	600	600	600	900	900	1200	1200	1400	1400	1600	1600	1600
<b>Weight [max. Kg]</b> in accordance with EN 1092-1 and <b>DIN 86044</b>	23	40	55	72	117	130	170	200	260	245	340	335	390
<b>Weight [max. kg]</b> angle rings	16	30	37	50	90	105	135	160	195	225	275	310	355

Flange dimensions according to the respective standard.

Consulting. Engineering. Products. Service.

**REMBE**® GmbH Safety+Control

Gallbergweg 21 | 59929 Brilon, Deutschland | T +49 2961 7405-0 | F +49 2961 50714  
info@rembe.de | www.rembe.de