

www.rechner-sensors.com

**RECHNER
SENSORS**

CATALOGUE

**CAPACITIVE
SENSORS
KXS**





Registration No.: 1327-01



Testing laboratory accredited according to
DIN EN ISO/IEC 17025 Reg.-No. DAT-P-048/95-00

For all transactions, the newest version of the „General Conditions of Sale and Delivery for Products and Services of the Electrical Industry ZVEI“ shall apply, along with the supplementary conditions „extended reservation of proprietary rights“, together with the supplements listed on our order confirmations and/or invoices.

All specifications are subject to change without notice. Reprint, even in part, only with our consent.
© RECHNER Germany 10/2011 GB - Printed in EU, all rights reserved.

Edition Octobre 2011 With publication of this catalogue all former printed catalogues about RECHNER capacitive sensors KXS are invalid.

All specifications are subject to change without notice. (10/2011)

CATALOGUE CAPACITIVE SENSORS KXS

	PAGES
TECHNOLOGY MOUNTING APPLICATION	4 - 5
APPLICATION EXAMPLES	6
TYPE CODE	7
TECHNICAL TERMS	8
TYPES TECHNICAL DATA DIMENSIONS CONNECTION DIAGRAMS	9 - 24
ACCESSORIES	25
TYPE SELECTION IN ARTICLE NUMBER	26
TYPE SELECTION IN TYPE DESCRIPTION ORDER	26

All specifications are subject to change without notice. (10/2011)

TECHNOLOGY • MOUNTING • APPLICATION

The capacitive proximity sensors that make up the KAS-40..., KAS-70..., KAS-80..., KAS-90, KAS-1000 and KAS-2000 series ... are already established as powerful leaders in today's market. They are well accepted as sensors that are reliable, and there are a large number of versions to suit many applications in the processing industry and throughout mechanical engineering. Nowadays they are indispensable. -Important parameters for the user are the achievable switching distance and the size of the sensor. Larger switching distances require larger sensors.

It is here, that the new KXS/KXA-Systems show their strength. Although one achieves essentially larger switching distances with these capacitive systems, their size is actually smaller.

The sensors of the KXS/KXA-Series are based on a different measuring principle, the three-electrode-principle.

Advantages:

- **Extreme large sensing distance, up to 10-times the norm**
- **Miniature sensors from M 5**
- **Measurement of smallest changes in capacity**
- **Suitable for high-temperature areas up to +250° C (ceramics +800° C)**
- **Up to three adjustable switching points in one sensor (Duplex and Triplex operation)**

With this Measuring principle, one electrode is removed to the outside. The protective conductor-potential PE – that means the machine and system potential – is now also used as a measurement electrode. The evaluation takes place with remote electronics. Due to the absolute measurement of the alteration in capacity, to a large extent, there is an independence of the static basic capacity. This means, the patented KXS/KXA-System detects an alteration of capacity of for example 0,1 pF regardless of whether the (static) basic capacity is 1 pF, 10 pF or 100 pF.

As a result very small switching-hystereses can be achieved.

Thanks to the remote evaluation electronics and the housing materials used, the standard types of capacitive sensors of the KXS-/KXA-Systems are suitable for use in high-temperature areas up to +250° C not version KXS-...-K. For use at high temperatures, or in applications with large variations in temperature, the drift has to be determined by empirical tests. This is necessary, because for the mounting conditions, there is a dependency on the drift. For particular applications, sensors are available in stainless steel/ceramic housings that can be used up to 800° C.

With the three-electrode-principle the mounting variations flush or non-flush are irrelevant. The sensors can be installed in any position, including flush in metal. The function is guaranteed in each mounting position.

Our KXS-... sensors have a cylindrical design with threads from M 5 to M 32. The following types are available as evaluation units: KXA-5-1.. one sensor KXS -... with a limit switching point; the multi-channel evaluators KXA-5-4-... for several sensors as well as the evaluator KXA-5-1/4 -... for Duplex or Triplex applications.

Application example for Duplex operation:

No target at sensor	=	no output signal
empty glass-bottle present	=	output signal 1
full glass-bottle	=	output signal 1 and 2

It is easy to put the capacitive system in to operation:

Mechanical mounting of the sensor + electrical connection + adjustment = ready for operation.

Please note, if the sensor is not screwed in to metal, a galvanic connection must take place from the electronics to the protective conductor-potential.

The KXS/KXA series of capacitive sensors can be used for level monitoring of liquids, pastes or bulk material, including measurement through non-metal partitions. Furthermore as limit switches, contact-less position switches for monitoring and positioning, as pulse generator for counting tasks and for many other applications.

Wiring of the capacitive sensors should be routed separately or screened from large value conducting cables, as in extreme cases inductive peak voltages can destroy the sensors despite the integrated protective circuit. Screened cable or twisted lines are especially recommended long cable runs > 5 m. Direct control of electric light bulbs should be avoided, as during the switch-on moment the cold current is many times the rated current and can destroy the output stage of the sensor.

The data for the **nominal sensing distance** is based on the measuring method defined by DIN VDE 0660, Part 208. The respective nominal sensing distance is indicated with a tolerance of + 10 %. The **standard measurement plate** is square with a thickness of 1 mm and is made of carbon steel FE 360 (defined in ISO 630: 1980) with a smoothed surface and is earthed. The sides are equal to the diameter of the active area of the KAS or equal to 3 x Sn, depending on which value is greater. With a different material or a smaller surface of the actuating element, the sensing distance is smaller.

In order to prevent damage to the threaded sleeves when mounting, the material and version-dependent **maximum torque** should be taken into consideration. The values listed in the table are based on the use of the nuts supplied with the sensors.

Maximum torque		
Thread	PPO	VA
M 5 x 0,5	-	1,5 Nm
M 8 x 1	-	4,5 Nm
M 12 x 1	1 Nm	15 Nm
M 18 x 1	3 Nm	40 Nm
M 30 x 1,5	8 Nm	150 Nm
M 32 x 1,5	13 Nm	180 Nm

Due to the permitted thread tolerances specified in German standard DIN 13, the **maximum screw-in length** for threaded sensors should be taken into consideration. Based on this the length of the threaded block for screwing in proximity sensors should not exceed the following dimensions. Where a larger threaded block is used we recommend drilling a blind hole in order to adhere to the maximum screw-in length.

Thread	M 5 x 0,5	M 8 x 1	M 12 x 1	M 18 x 1	M 30 x 1,5	M 32 x 1,5
Max. screw - in length	3 mm	6 mm	8 mm	12 mm	12 mm	12 mm

All specifications are subject to change without notice. (10/2011)

APPLICATION EXAMPLES

Fig. 1: Duplex / Triplex application

A possibility for Triplex-Function, with this example, could be the limit switching point S_2 indicating "bottle filled with water"

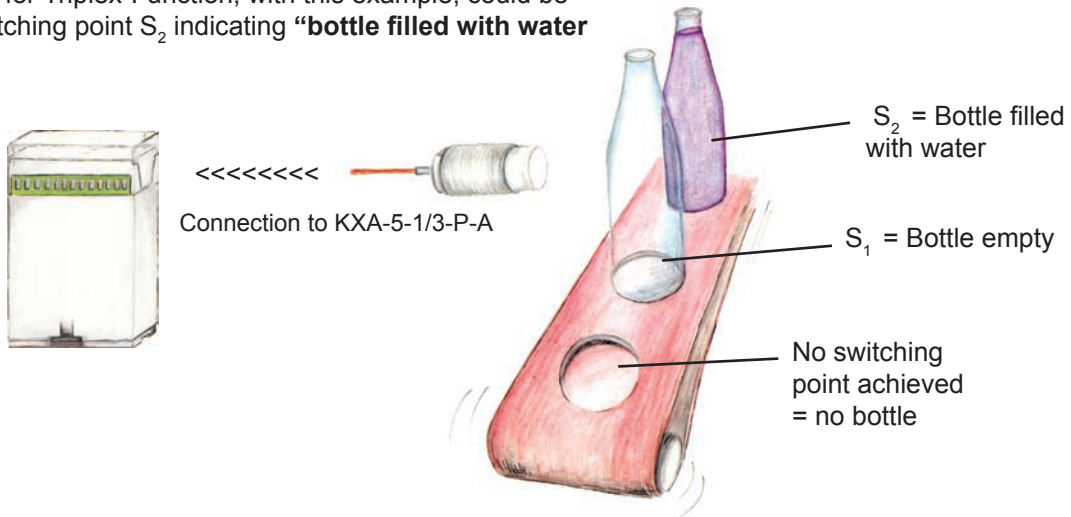


Fig. 2: Application in a container with glue

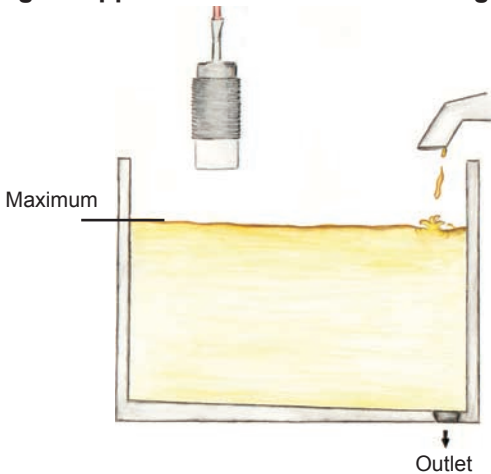


Fig. 4: Overflow protection of casts, for example for plastic lenses for glasses

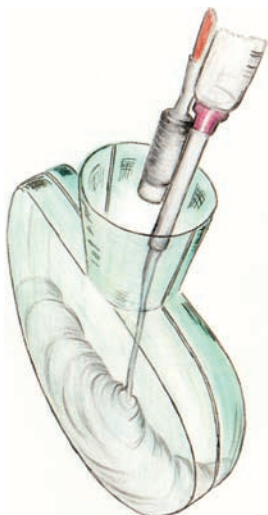


Fig. 3: Application in a container with granules

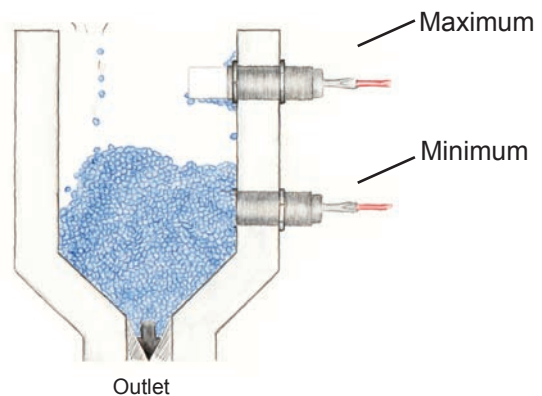
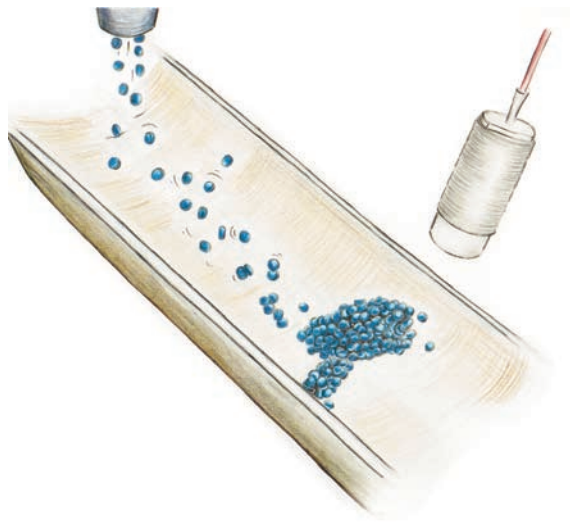


Fig. 5: For detection of accumulations during the production of small parts, like tablets

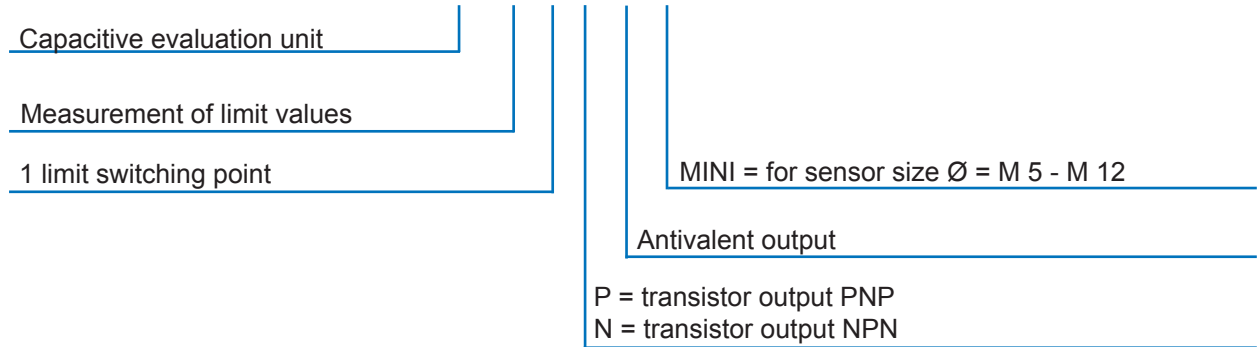


All specifications are subject to change without notice. (10/2011)

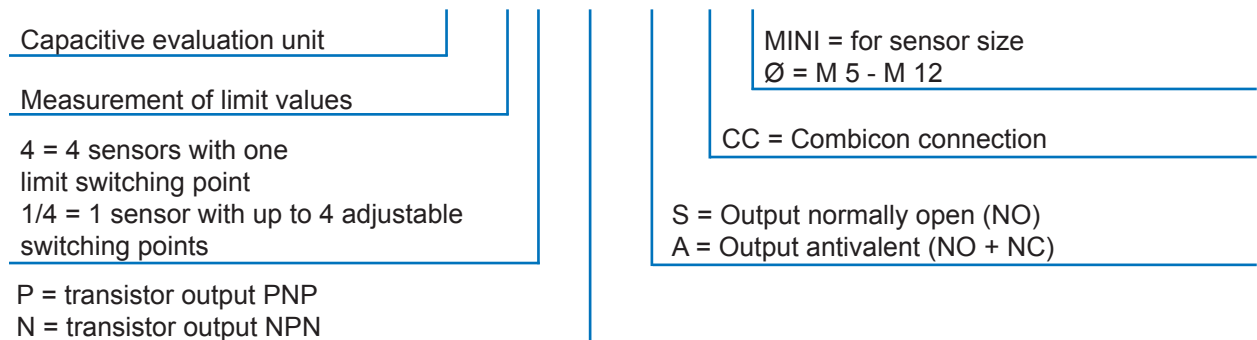
TYPE CODE

Capacitive evaluation unit

KXA-5-1-...-A-...

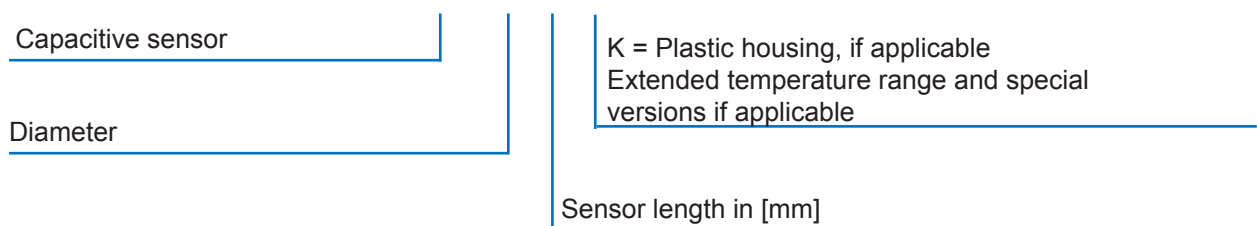


KXA-5-...-...-S/A-...-...



Capacitive sensor

KXS-.../...-...



Other process connection on request.

All specifications are subject to change without notice. (10/2011)

TECHNICAL TERMS

Housing materials

The application of the housing materials used is based on the technical specifications of the material and of the manufacturer. Even though RECHNER Sensors have far-reaching application experience concerning the use of different housing materials, the customer is responsible for checking in each case that the housing material is suitable for the application.

Cable

For the standard models COAX-, TRIAX-, PVC- or PUR-cable are used. One has to take into consideration that the cable should not be moved with ambient temperatures below -5°C . PVC is not suitable for use in applications with oil-based liquids or with UV-radiation. PUR is not suitable for continuous contact with water. For special application areas silicone or PTFE cables are available. COAX- and TRIAX-Cable are not destined for continuous movement/flexible use. When routing please consider the bending radius of minimum $10 \times \varnothing$.

Sensing distance S_n

Characteristic value of a proximity sensor, without consideration of production tolerances and variations due to temperature and voltages.

Enclosure rating

IP 65: Protection against contact with voltage-carrying parts, protection against ingress of dust and water jets.

IP 67: Protection against contact with voltage-carrying parts, protection against ingress of dust and protection against ingress of water when the equipment is immersed in water, up to 1 m depths for a period of 30 minutes.

Voltage drop U_d

Voltage drop is the voltage, which is at the active output of the sensor, in the on state.

Repeat accuracy

Measurement of the sensing distance in succession, which is made at constant ambient conditions.

Permitted residual ripple

The permitted residual ripple of the used power pack, used as power supply.

The products of Rechner Industrie-Elektronik GmbH are designed and checked in accordance with the latest standards and specifications, DIN - VDE - IEC, for electrical and electronic instruments. For new and revised products the newest standards are always used.



Capacitive sensors Series - KXS-Extreme

Housing M 5 x 0.5

- Housing material: Stainless steel VA No. 1.4305
- For connection to capacitive evaluation units KXA-...-MINI
- Extreme large sensing distance
- Up to 250° C ambient temperature

Certificate:

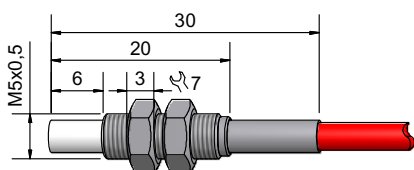


Technical data

Operating distance S_n	3 mm
Operating distance min / max adjustable	0...5 mm
Mounting	Flush / non-flush
Type	KXS-M5/20
Art.-No.	498 000
Permitted ambient temperature	-70...+250 °C
Enclosure rating IEC 60529*	IP 67
Norm	EN 60947-5-2
Connection cable for connection to capacitive evaluation units KXA-...-MINI with plug-in connector	2 m FEP, Triax
Housing material	VA No. 1.4305
Active surface	PTFE (FDA 21 CFR 177.1550)

*Enclosure rating IEC 60529 for connector on request.

All specifications are subject to change without notice. (10/2011)



Made in Germany



Capacitive sensors Series - KXS-Extreme

Housing M 8 x 1

- Housing material: Stainless steel VA No. 1.4305
- For connection to capacitive evaluation units KXA-...-MINI
- Extreme large sensing distance
- Up to 250° C ambient temperature

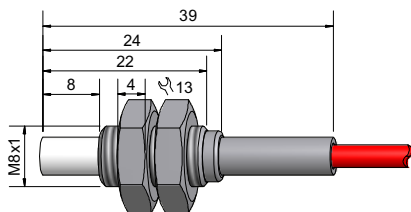
Certificate:



Technical data

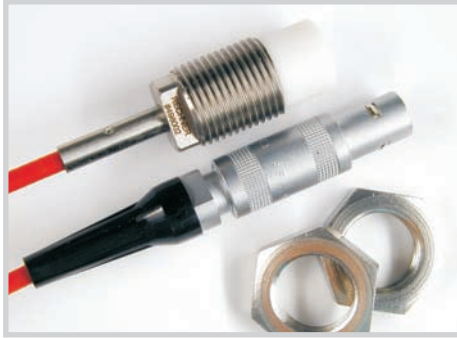
Operating distance S_n	7 mm
Operating distance min / max adjustable	0...10 mm
Mounting	Flush / non-flush
Type	KXS-M8/25
Art.-No.	498 001
Permitted ambient temperature	-70...+250 °C
Enclosure rating IEC 60529*	IP 67
Norm	EN 60947-5-2
Connection cable for connection to capacitive evaluation units KXA-...-MINI with plug-in connector	2 m FEP, Triax
Housing material	VA No. 1.4305
Active surface	PTFE (FDA 21 CFR 177.1550)

*Enclosure rating IEC 60529 for connector on request.



Made in Germany

All specifications are subject to change without notice. (10/2011)



Capacitive sensors Series - KXS-Extreme

Housing M 12 x 1

- Housing material: Stainless steel VA No. 1.4305
- For connection to capacitive evaluation units KXA-...-MINI
- Extreme large sensing distance
- Up to 250° C ambient temperature

Certificate:

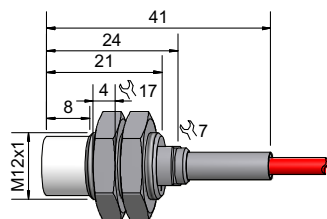


Technical data

Operating distance S_n	15 mm
Operating distance min / max adjustable	1...25 mm
Mounting	Flush / non-flush
Type	KXS-M12/25
Art.-No.	498 002
Permitted ambient temperature	-70...+250 °C
Enclosure rating IEC 60529*	IP 67
Norm	EN 60947-5-2
Connection cable for connection to capacitive evaluation units KXA-...-MINI with plug-in connector	2 m FEP, Triax
Housing material	VA No. 1.4305
Active surface	PTFE (FDA 21 CFR 177.1550)

*Enclosure rating IEC 60529 for connector on request.

All specifications are subject to change without notice. (10/2011)



Made in Germany



Capacitive sensors Series - KXS-Extreme

Housing M 12 x 1

- Housing material: PPO
- For connection to capacitive evaluation units KXA-...-MINI
- Extreme large sensing distance

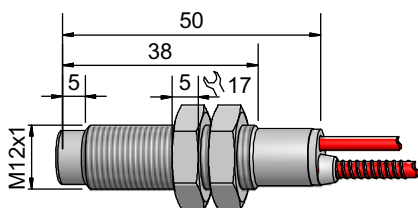
Certificate:



Technical data

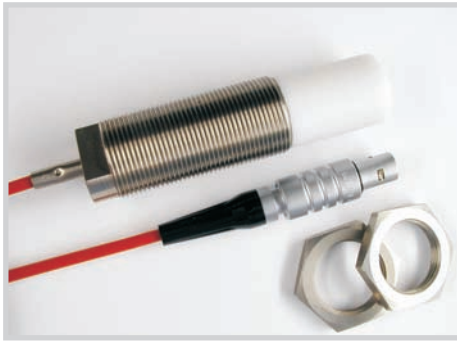
Operating distance S_n	15 mm
Operating distance min / max adjustable	1...25 mm
Mounting	Flush / non-flush
Type	KXS-M12/50-K
Art.-No.	KX 0054
Permitted ambient temperature	-25...+70 °C
Enclosure rating IEC 60529*	IP 67
Norm	EN 60947-5-2
Connection cable for connection to capacitive evaluation units KXA-...-MINI with plug-in connector	2 m FEP, Triax
Housing material	PPO
Active surface	PPO

*Enclosure rating IEC 60529 for connector on request.



Made in Germany

All specifications are subject to change without notice. (10/2011)



Capacitive sensors Series - KXS-Extreme

Housing M 18 x 1

- Housing material: Stainless steel VA No. 1.4305
- For connection to capacitive evaluation units KXA-...
- Extreme large sensing distance
- Up to 250° C ambient temperature

Certificate:

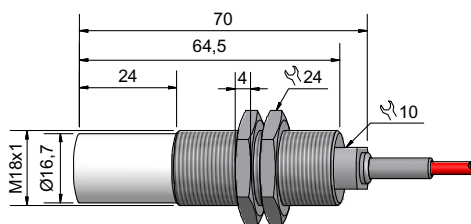


Technical data

Operating distance S_n	30 mm
Operating distance min / max adjustable	2...50 mm
Mounting	Flush / non-flush
Type	KXS-M18/70
Art.-No.	498 003
Permitted ambient temperature	-70...+250 °C
Enclosure rating IEC 60529*	IP 67
Norm	EN 60947-5-2
Connection cable for connection to capacitive evaluation units KXA-... with plug-in connector	2 m FEP, Triax
Housing material	VA No. 1.4305
Active surface	PTFE (FDA 21 CFR 177.1550)

*Enclosure rating IEC 60529 for connector on request.

All specifications are subject to change without notice. (10/2011)



Made in Germany



Capacitive sensors Series - KXS-Extreme

Housing M 12 x 1

- Housing material: PPO
- For connection to capacitive evaluation units KXA-...
- Extreme large sensing distance

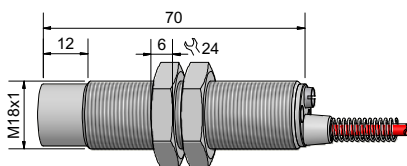
Certificate:



Technical data

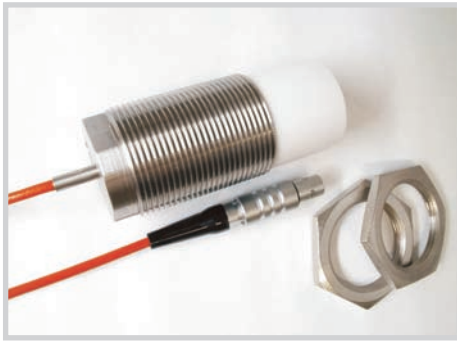
Operating distance S_n	30 mm
Operating distance min / max adjustable	2...50 mm
Mounting	Flush / non-flush
Type	KXS-M18/70-K
Art.-No.	KX 0053
Permitted ambient temperature	-25...+70 °C
Enclosure rating IEC 60529*	IP 67
Norm	EN 60947-5-2
Connection cable for connection to capacitive evaluation units KXA-... with plug-in connector	2 m FEP, Triax
Housing material	PPO
Active surface	PPO

*Enclosure rating IEC 60529 for connector on request.



Made in Germany

All specifications are subject to change without notice. (10/2011)



Capacitive sensors Series - KXS-Extreme

Housing M 30 x 1.5

- Housing material: Stainless steel VA No. 1.4305
- For connection to capacitive evaluation units KXA-...
- Extreme large sensing distance
- Up to 250° C ambient temperature

Certificate:

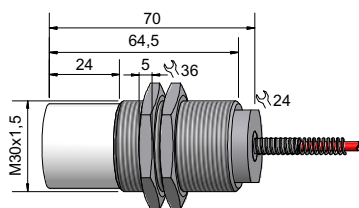


Technical data

Operating distance S_n	60 mm
Operating distance min / max adjustable	5...100 mm
Mounting	Flush / non-flush
Type	KXS-M30/70
Art.-No.	498 004
Permitted ambient temperature	-70...+250 °C
Enclosure rating IEC 60529*	IP 67
Norm	EN 60947-5-2
Connection cable for connection to capacitive evaluation units KXA-... with plug-in connector	2 m FEP, Triax
Housing material	VA No. 1.4305
Active surface	PTFE (FDA 21 CFR 177.1550)

*Enclosure rating IEC 60529 for connector on request.

All specifications are subject to change without notice. (10/2011)



Made in Germany



Capacitive sensors Series - KXS-Extreme

Housing M 30 x 1.5

- Housing material: PPO
- For connection to capacitive evaluation units KXA-...-MINI
- Extreme large sensing distance

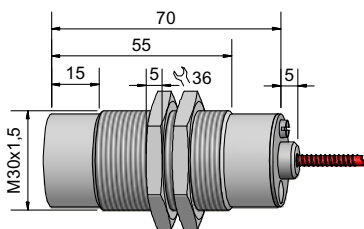
Certificate:



Technical data

Operating distance S_n	60 mm
Operating distance min / max adjustable	5...100 mm
Mounting	Flush / non-flush
Type	KXS-M30/70-K
Art.-No.	KX 0051
Permitted ambient temperature	-25...+70 °C
Enclosure rating IEC 60529*	IP 67
Norm	EN 60947-5-2
Connection cable for connection to capacitive evaluation units KXA-... with plug-in connector	2 m FEP, Triax
Housing material	PPO
Active surface	PPO

*Enclosure rating IEC 60529 for connector on request.



Made in Germany

All specifications are subject to change without notice. (10/2011)



Capacitive sensors Series - KXS-Extreme

Housing M 32 x 1.5

- Housing material: Stainless steel VA No. 1.4305
- For connection to capacitive evaluation units KXA-...
- Extreme large sensing distance
- Up to 250° C ambient temperature

Certificate:

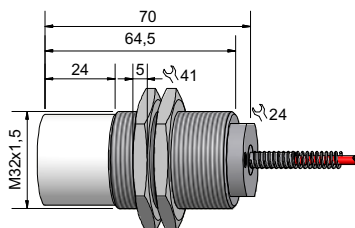


Technical data

Operating distance S_n	80 mm
Operating distance min / max adjustable	5...120 mm
Mounting	Flush / non-flush
Type	KXS-M32/70
Art.-No.	498 005
Permitted ambient temperature	-70...+250 °C
Enclosure rating IEC 60529*	IP 67
Norm	EN 60947-5-2
Connection cable for connection to capacitive evaluation units KXA-... with plug-in connector	2 m FEP, Triax
Housing material	VA No. 1.4305
Active surface	PTFE (FDA 21 CFR 177.1550)

*Enclosure rating IEC 60529 for connector on request.

All specifications are subject to change without notice. (10/2011)



Made in Germany



Capacitive sensors Series - KXS-Extreme

Housing M 32 x 1.5

- Housing material: PPO
- For connection to capacitive evaluation units KXA-...
- Extreme large sensing distance

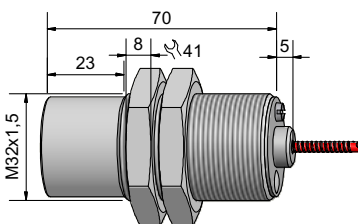
Certificate:



Technical data

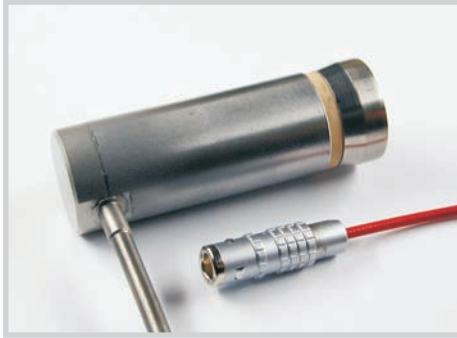
Operating distance S_n	80 mm
Operating distance min / max adjustable	5...120 mm
Mounting	Flush / non-flush
Type	KXS-M32/70-K
Art.-No.	KX 0052
Permitted ambient temperature	-25...+70 °C
Enclosure rating IEC 60529*	IP 67
Norm	EN 60947-5-2
Connection cable for connection to capacitive evaluation units KXA-... with plug-in connector	2 m FEP, Triax
Housing material	PPO
Active surface	PPO

*Enclosure rating IEC 60529 for connector on request.



Made in Germany

All specifications are subject to change without notice. (10/2011)



Capacitive sensors Series - KXS-Extreme

Housing Ø 28 mm

- Housing material: Stainless steel VA No. 1.4305/ ceramic
- For connection to capacitive evaluation units KXA-...
- Extreme large sensing distance
- Up to 800° C ambient temperature
- Measurement on distance, no product contact.

Certificate:

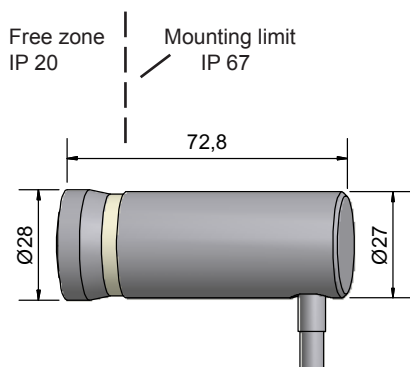


Technical data

Operating distance S_n	60 mm
Operating distance min / max adjustable	10...100 mm
Mounting	Non-flush
Type	KXS-28/82-800°C
Art.-No.	498 007
Permitted ambient temperature	-70...+800 °C
Enclosure rating IEC 60529*	IP 20 / IP 67
Norm	EN 60947-5-2
Connection cable for connection to capacitive evaluation units KXA-... with plug-in connector	2 m FEP, Triax with 1.5 m metal protection tube
Housing material	VA No. 1.4305 / ceramic
Active surface	VA No. 1.4305 / ceramic

*Enclosure rating IEC 60529 for connector on request.

All specifications are subject to change without notice. (10/2011)



Made in Germany



Capacitive evaluation units - KXA
Series KXS-Extrem - NPN
Series KXS-Extrem - PNP

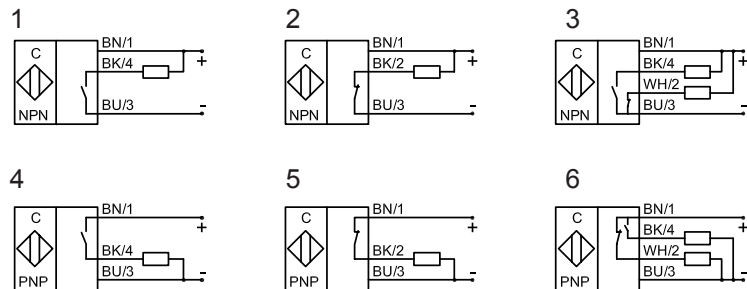
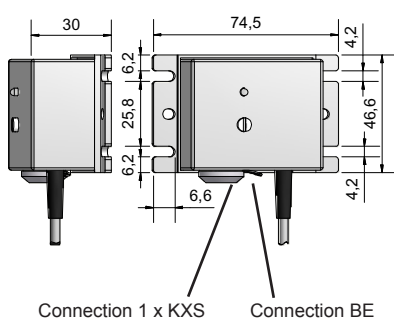
- KXA-... for connection to capacitive sensors KXS-M18/...-M32/...
- KXA-...-MINI for connection to capacitive sensors KXS-M5/...-M12/...

Certificate:



Technical data

Electrical version	4-wire DC	4-wire DC
Output function	Antivalent (NO + NC)	Antivalent (NO + NC)
Type NPN	KXA-5-1-N-A-MINI	KXA-5-1-N-A
Art.-No.	498 505	498 501
Connection diagram No.	3	3
Type PNP	KXA-5-1-P-A-MINI	KXA-5-1-P-A
Art.-No.	498 503	498 500
Connection diagram No.	6	6
Operating voltage (U_b)	18...36 V DC	18...36 V DC
Output current max. (I_o)	2 x 250 mA	2 x 250 mA
Voltage drop max. (U_d)	< 2.5 V	< 2.5 V
Permitted residual ripple max.	40 %	40 %
No-load current (I_o)	Typ. 50 mA	Typ. 50 mA
Frequency of operating cycles max.	50 Hz	50 Hz
Switching hysteresis	≤ 20%	≤ 20%
Repeat accuracy	≤ 1%	≤ 1%
Permitted ambient temperature	-25...+55 °C	-25...+55 °C
LED-display	Green / yellow	Green / yellow
Protective circuit	Built-in	Built-in
Degree of protection IEC 60529	IP 65	IP 65
Norm	EN 60947-5-2	EN 60947-5-2
Connection cable	2 m, PUR, 4 x 0.14 mm ²	2 m, PUR, 4 x 0.14 mm ²
Housing material	PA	PA



Made in Germany

All specifications are subject to change without notice. (10/2011)



Capacitive Evaluator - KXA
Series KXS-Extrem - NPN
Series KXS-Extrem - PNP

- KXA-... for connection of 4 capacitive Sensors KXS-M18/... to -M32/...
- KXA-...MINI for connection of 4 capacitive Sensors KXS-M5/... to -M12/...
- With sensor break control
- Extension possible with slave function

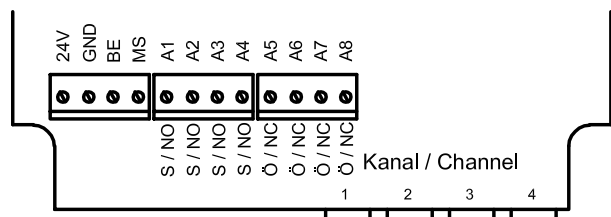
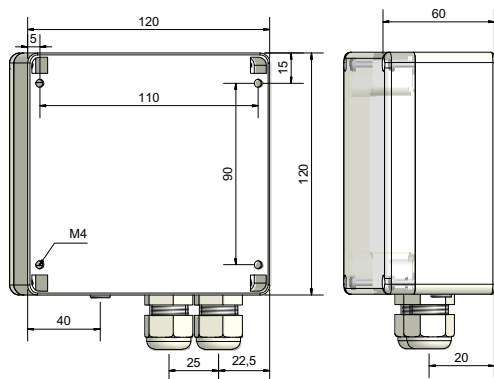
Certificate:



Technical data

Output function	4 x Normally open (NO)	4 x Normally open (NO)
Type NPN	KXA-5-4-N-S-4FB-Ö-CC-MINI	KXA-5-4-N-S-4FB-Ö-CC
Art.-No.	XA 0033	XA 0034
Connection diagram No.	See below	See below
Type PNP	KXA-5-4-P-S-4FB-Ö-CC-MINI	KXA-5-4-P-S-4FB-Ö-CC
Art.-No.	XA 0024	XA 0020
Connection diagram No.	See below	See below
Operating voltage (U _B)	18...36 V DC	18...36 V DC
Output current max. (I _o)	400 mA each output	400 mA each output
Permitted residual ripple max.	40 %	40 %
No-load current (I _o)	Typ. 130 mA	Typ. 130 mA
Permitted ambient temperature	-25...+55 °C	-25...+55 °C
LED - display	Green / yellow	Green / yellow
Protective circuit	Built-in	Built-in
Degree of protection IEC 60529	IP 54	IP 54
Norm	EN 60947-5-2	EN 60947-5-2
Connection	Screw terminals and triax socket	Screw terminals and triax socket
Housing material	ABS	ABS
Wire break control	1 x each channel	1 x each channel
Output wire break	4 x Normally closed (NC)	4 x Normally closed (NC)

All specifications are subject to change without notice. (10/2011)



Made in Germany



Capacitive Evaluator - KXA
Series KXS-Extrem - NPN
Series KXS-Extrem - PNP

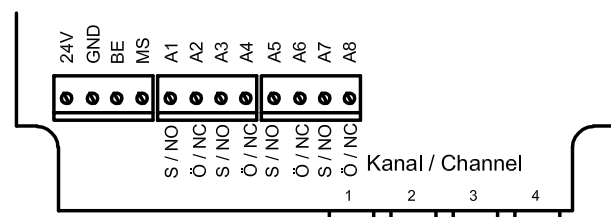
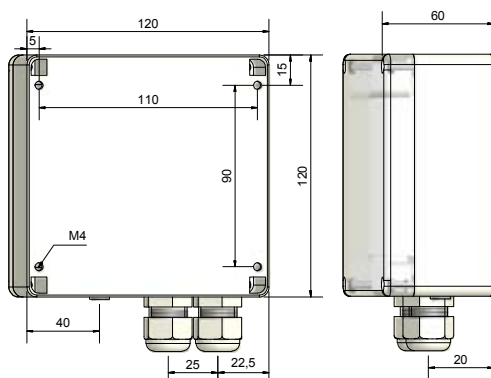
- KXA-... for connection of 4 capacitive Sensors KXS-M18/... to -M32/...
- KXA-...MINI for connection of 4 capacitive Sensors KXS-M5/... to M12/...
- Extension possible with slave function

Certificate:



Technical data

Output function	4 x Antivalent (NO + NC)	4 x Antivalent (NO + NC)
Type NPN	KXA-5-4-N-A-CC-MINI	KXA-5-4-N-A-CC
Art.-No.	XA 0029	XA 0030
Connection diagram No.	See below	See below
Type PNP	KXA-5-4-P-ACC-MINI	KXA-5-4-P-A-CC
Art.-No.	XA 0026	XA 0022
Connection diagram No.	See below	See below
Operating voltage (U_b)	18...36 V DC	18...36 V DC
Output current max. (I_o)	400 mA each output	400 mA each output
Permitted residual ripple max.	40 %	40 %
No-load current (I_o)	Typ. 120 mA	Typ. 120 mA
Permitted ambient temperature	-25...+55 °C	-25...+55 °C
LED - display	Green / yellow	Green / yellow
Protective circuit	Built-in	Built-in
Degree of protection IEC 60529	IP 54	IP 54
Norm	EN 60947-5-2	EN 60947-5-2
Connection	Screw terminals and triax socket	Screw terminals and triax socket
Housing material	ABS	ABS



Made in Germany

All specifications are subject to change without notice. (10/2011)



Capacitive evaluation units - KXA (Quattroplex)
Series - KXS-Extreme - NPN
Series - KXS-Extreme - PNP

- Quattroplex - evaluation unit (4 adjustable switching points) for connection to 1 capacitive sensor KXS-M18/..., KXS-M30/... or KXS-M32/...
- Quattroplex - MINI - evaluation unit (4 adjustable switching points) for connection to 1 capacitive sensor KXS-M5/..., KXS-M8/... or KXS-M12/...
- Operating voltage: 18...36 V DC
- Extension possible with master/slave function

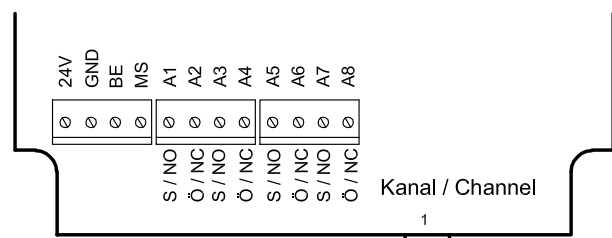
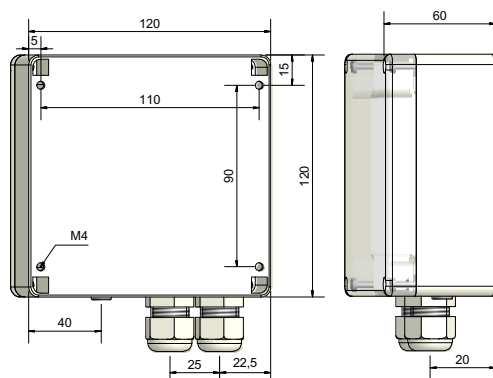
Certificate:



Technical data

Output function	4 x Antivalent (NO + NC)	4 x Antivalent (NO + NC)
Type NPN	KXA-5-1/4-N-A-CC-MINI	KXA-5-1/4-N-A-CC
Art.-No.	XA 0058	XA 0056
Connection diagram No.	See below	See below
Type PNP	KXA-5-1/4-P-A-CC-MINI	KXA-5-1/4-P-A-CC
Art.-No.	XA 0057	XA 0055
Connection diagram No.	See below	See below
Operating voltage (U_b)	18...36 V DC	18...36 V DC
Output current max. (I_o)	250 mA each output	250 mA each output
Permitted residual ripple max.	40 %	40 %
No-load current (I_o)	Typ. 120 mA	Typ. 120 mA
Permitted ambient temperature	-25...+55 °C	-25...+55 °C
LED - display	Green / yellow	Green / yellow
Protective circuit	Built-in	Built-in
Degree of protection IEC 60529	IP 54	IP 54
Norm	EN 60947-5-2	EN 60947-5-2
Connection	Screw terminals and triax socket	Screw terminals and triax socket
Housing material	ABS	ABS

All specifications are subject to change without notice. (10/2011)



Made in Germany

ACCESSORIES



For extra charge the sensors are available with metallic protection tube at the connection cable.

All specifications are subject to change without notice. (10/2011)

Made in Germany

TYPE SELECTION IN ARTICLE NUMBER ORDER

Art.-No.	Type description	Page
498000	KXS-M5/20	9
498001	KXS-M8/25	10
498002	KXS-M12/25	11
498003	KXS-M18/70	13
498004	KXS-M30/70	15
498005	KXS-M32/70	17
498007	KXS-28/82-800°C	19
498500	KXA-5-1-P-A	20
498501	KXA-5-1-N-A	20
498503	KXA-5-1-P-A-MINI	20
498505	KXA-5-1-N-A-MINI	20
KX0051	KXS-M30/70-K	16
KX0052	KXS-M32/70-K	18
KX0053	KXS-M18/70-K	14
KX0054	KXS-M12/50-K	12

Art.-No.	Type description	Page
XA0020	KXA-5-4-P-S-4FB-Ö-CC	21
XA0022	KXA-5-4-P-A-CC	22
XA0024	KXA-5-4-P-S-4FB-Ö-CC-MINI	21
XA0026	KXA-5-4-P-A-CC-MINI	22
XA0029	KXA-5-4-N-A-CC-MINI	22
XA0030	KXA-5-4-N-A-CC	22
XA0033	KXA-5-4-N-S-4FB-Ö-CC-MINI	21
XA0034	KXA-5-4-N-S-4FB-Ö-CC	21
XA0055	KXA-5-1/4-P-A-CC	23
XA0056	KXA-5-1/4-N-A-CC	23
XA0057	KXA-5-1/4-P-A-CC-MINI	23
XA0058	KXA-5-1/4-N-A-CC-MINI	23

TYPE SELECTION IN DESCRIPTION ORDER

Type description	Art.-No.	Page
KXA-5-1/4-N-A-CC	XA0056	23
KXA-5-1/4-N-A-CC-MINI	XA0058	23
KXA-5-1/4-P-A-CC	XA0055	23
KXA-5-1/4-P-A-CC-MINI	XA0057	23
KXA-5-1-N-A	498501	20
KXA-5-1-N-A-MINI	498505	20
KXA-5-1-P-A	498500	20
KXA-5-1-P-A-MINI	498503	20
KXA-5-4-N-A-CC	XA0030	22
KXA-5-4-N-A-CC-MINI	XA0029	22
KXA-5-4-N-S-4FB-Ö-CC	XA0034	21
KXA-5-4-N-S-4FB-Ö-CC-MINI	XA0033	21
KXA-5-4-P-A-CC	XA0022	22
KXA-5-4-P-A-CC-MINI	XA0026	22
KXA-5-4-P-S-4FB-Ö-CC	XA0020	21

Type description	Art.-No.	Page
KXA-5-4-P-S-4FB-Ö-CC-MINI	XA0024	21
KXS-28/82-800°C	498007	19
KXS-M12/25	498002	11
KXS-M12/50-K	KX0054	12
KXS-M18/70	498003	13
KXS-M18/70-K	KX0053	14
KXS-M30/70	498004	15
KXS-M30/70-K	KX0051	16
KXS-M32/70	498005	17
KXS-M32/70-K	KX0052	18
KXS-M5/20	498000	9
KXS-M8/25	498001	10

All specifications are subject to change without notice. (10/2011)

All specifications are subject to change without notice. (10/2011)

All specifications are subject to change without notice. (10/2011)

SENSORS FOR INDUSTRIAL AUTOMATION

**ASK FOR FURTHER CATALOGUES:
CAPACITIVE SENSORS KAS
CAPACITIVE SENSORS KXS
CAPACITIVE LEVEL MEASURING SYSTEMS
INDUCTIVE SENSORS IAS
MAGNETO RESISTIVE SENSORS
OPTOELECTRONIC SENSORS
FLOW SENSORS
CONDUCTIVITY SENSORS
ATEX CERTIFIED PRODUCTS
POWER SUPPLIES AND EX BARRIERS**

YOUR REPRESENTATIVE

RECHNER INDUSTRIE-ELEKTRONIK GmbH

Gaußstraße 8-10 • 68623 Lampertheim • Germany

Tel. (0 62 06) 50 07-0 Fax (0 62 06) 50 07-36 Fax Intl. +49 (0) 62 06 50 07-20 www.rechner-sensors.com e-mail: info@rechner-sensors.de

CANADA

Rechner Automation Inc
348 Bronte St. South - Unit 11
Milton, ON L9T 5B6

Tel. 9056360866
Fax. 9056360867
contact@rechner.com
www.rechner.com

GREAT BRITAIN

Rechner (UK) Limited
Unit 6, The Old Mill
61 Reading Road
Pangbourne, Berks, RG8 7HY

Tel. +44 118 976 6450
Fax. +44 118 976 6451
info@rechner-sensors.co.uk
www.rechner-sensors.co.uk

PEOPLE'S REPUBLIC OF CHINA

RECHNER SENSORS SIP CO.LTD.
Building H,
No. 58, Yang Dong Road
Suzhou Industrial Park
Jiangsu Province

Tel. +8651267242858
Fax. +8651267242868
assist@rechner-sensor.cn
www.rechner-sensor.cn

REPUBLIC OF KOREA (SOUTH)

Rechner-Korea Co. Ltd.
A-1408 Ho,
Keumgang Penterium IT Tower,
Hakeuiro 282, Dongan-gu
Anyang City, Gyunggi-do, Seoul

Tel. +82 31 422 8331
Fax. +82 31 423 83371
sensor@rechner.co.kr
www.rechner.co.kr

UNITED STATES OF AMERICA

Rechner Electronics Ind. Inc.
6311 Inducon Corporate Drive,
Suite 5
Sanborn, NY. 14132

Tel. 8005444106
Fax. 9056360867
contact@rechner.com
www.rechner.com