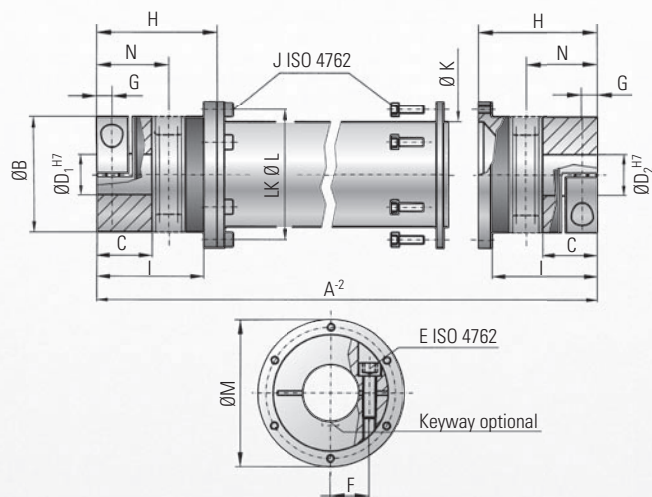


optional  
stainless  
steel

# MODEL ZA 10-800 Nm

## TECHNICAL SPECIFICATIONS



### Properties:

- Compensation of misalignments
- Backlash-free and torsionally stiff
- Able to span long distances
- Standard lengths up to 6 m ( 19.68 ft)
- No intermediate support bearing required
- Intermediate tube removable for easy mounting

### Material:

- Bellows made of flexible high grade stainless steel
- Aluminum intermediate tube section through size 200, size 300 and up steel
- **Optional composite CFK tube**
- Clamping hubs through size 60 Aluminum, size 150 and up steel

### Design:

- Balanced clamping hubs with one radial screw ISO 4762
- Intermediate tube section supported by gimbals within the clamping hub
- Mounting and dismounting accomplished through the removal of the intermediate tube section

### Ordering example

ZA / 10 / 1551 / 18 / 19 / XX

Model  
Series/rated torque  
Overall length  
Ø D1 H7  
Ø D2 H7  
Non-Standard e.g. carbon tube

### Temperature range:

-30 to +120° C (-3,6 to 270 F)

### Speed:

Depending on length A, please contact R+W

### Service life:

These couplings have an infinite life and are maintenance-free if the technical limits are not exceeded.

### Backlash:

Absolutely backlash-free due to frictional clamp connection

### Fit tolerance:

Shaft/hub connection 0.01 to 0.05 mm

| Model ZA 10 - 800 Nm                          |                  | Series      |             |             |             |             |             |             |             |  |
|---|------------------|-------------|-------------|-------------|-------------|-------------|-------------|-------------|-------------|--|
|   |                  | 10          | 30          | 60          | 150         | 200         | 300         | 500         | 800         |  |
| Rated torque (Nm)                             | T <sub>KN</sub>  | 10          | 30          | 60          | 150         | 200         | 300         | 500         | 800         |  |
| Overall length min. to max. (mm)              | A <sup>2</sup>   | 110 to 6000 | 140 to 6000 | 170 to 6000 | 190 to 6000 | 210 to 6000 | 250 to 6000 | 260 to 6000 | 260 to 6000 |  |
| Outer diameter clamping hub (mm)              | B                | 40          | 55          | 66          | 81          | 90          | 110         | 123         | 134         |  |
| Fit length (mm)                               | C                | 16          | 27          | 31          | 35.5        | 40.5        | 43          | 50          | 48          |  |
| Inner diameter from Ø to Ø H7 (mm)            | D <sub>1/2</sub> | 5 to 20     | 10 to 28    | 12 to 32    | 19 to 42    | 22 to 45    | 30 to 60    | 35 to 60    | 40 to 72    |  |
| With keyway max. Ø H7 (mm)                    | D <sub>1/2</sub> | 17          | 23          | 29          | 36          | 45          | 60          | 60          | 66          |  |
| ISO 4762 clamping screw                       | E                | M4          | M6          | M8          | M10         | M12         | M12         | M16         | 2x M16      |  |
| Tightening torque (Nm)                        | E                | 5           | 15          | 40          | 70          | 110         | 130         | 200         | 250         |  |
|   | F                | 15          | 19          | 23          | 27          | 31          | 39          | 41          | 48          |  |
|   | G                | 5           | 7.5         | 9.5         | 11          | 12.5        | 13          | 17          | 18          |  |
| Length bellows body (mm)                      | H                | 44.5        | 57.5        | 71          | 78          | 86          | 94          | 110         | 101         |  |
|   | I                | 38.5        | 51          | 61          | 69          | 75.5        | 81          | 96          | 89          |  |
| ISO 4762 screw                                | J                | 4x M4       | 6x M4       | 6x M5       | 8x M6       | 8x M6       | 8x M8       | 8x M8       | 10x M8      |  |
| Tightening torque of the assembly screws (Nm) | J                | 3           | 4           | 7           | 10          | 12          | 30          | 30          | 40          |  |
| Outer diameter tube section (mm)              | K                | 35          | 50          | 60          | 76          | 90          | 100         | 110         | 120         |  |
| Bolt hole circle Ø (mm)                       | L                | 45          | 62.5        | 71.5        | 88          | 100         | 120         | 132         | 138         |  |
| Outer diameter flange (mm)                    | M                | 52          | 70          | 80          | 98          | 110         | 135         | 148         | 153         |  |
| Shaft average value (mm)                      | N                | 25          | 34          | 41          | 47          | 52          | 56          | 66          | 64          |  |

1Nm = 8.85 in lbs