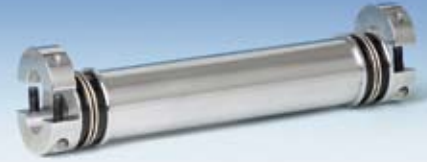
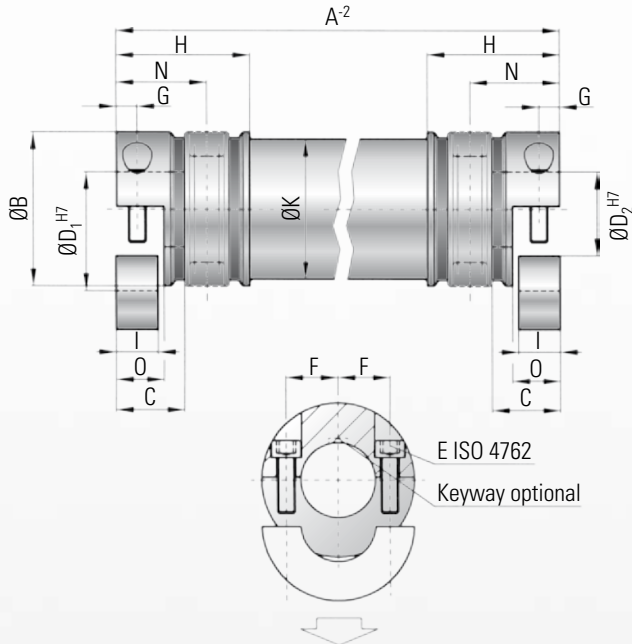




# MODEL ZAE 10-800 Nm

## TECHNICAL SPECIFICATIONS



### Properties:

- Compensation of misalignments
- Backlash-free and torsionally stiff
- Able to span longer distances
- Standard lengths up to 6 m (19.68 ft)
- No intermediate support bearing required
- Split hubs for easy mounting and dismantling

### Material:

- Bellows made of flexible high grade stainless steel
- Aluminum intermediate tube section through size 150, size 300 and up steel
- **optional composite CFK tube**
- Clamping hubs through size 60 Aluminum, size 150 and up steel

### Design:

- Balanced split clamping hubs with two radial clamping screws ISO 4762
- Intermediate tube section supported by gim-bals within the clamping hub
- Lateral mounting and dismantling accom-plished due to split hubs

### Ordering example

ZAE / 10 / 1551 / 18 / 19 / XX

Model  
Series/rated torque  
Overall length  
Ø D1 H7  
Ø D2 H7  
Non-Standard e.g. carbon tube

### Temperature range:

-30 to +120° C (-3,6 to 270 F)

### Speed:

Depending on length A, please contact R+W

### Service life:

These couplings have an infinite life and are main-tenance-free if the technical limits are not exceeded.

### Backlash:

Absolutely backlash-free through frictional clamp connection

### Fit tolerance:

Shaft/hub connection 0.01 to 0.05 mm

Model ZAE 10 - 800 Nm		Series							
		10	30	60	150	300	500	800	
Rated torque (Nm)	$T_{KN}$	10	30	60	150	300	500	800	
Overall length min. to max. (mm)	$A^{-2}$	100 to 6000	130 to 6000	160 to 6000	180 to 6000	240 to 6000	250 to 6000	250 to 6000	
Outer diameter clamping hub (mm)	B	40	55	66	81	110	123	133	
Fit length (mm)	C	16	27	31	34.5	42	50	47	
Inner diameter from Ø to Ø H7 (mm)	$D_{1/2}$	5 to 20	10 to 28	12 to 32	19 to 42	30 to 60	35 to 60	40 to 72	
Max. inner diameter clamping hub (mm)	$D_{max}$	24	30	32	42	60	60	75	
with keyway - max Ø H7 (mm)	$D_{1/2}$	17	23	29	36	60	60	66	
ISO 4762 clamping screws	E	M4	M6	M8	M10	M12	M16	M16	
Tightening torque (Nm)		5	15	40	70	130	200	250	
	F	15	19	23	27	39	41	48	
	G	5	7.5	9.5	12	14	17	19	
Length bellows body (mm)	H	39.5	52	64	72	83	96	95	
Clamping length (mm)	I	10	15	19	22	28	33.5	37.5	
Outer diameter tube section (mm)	K	35	50	60	76	100	110	120	
	O	11.5	17	21	24	30	35	40	
Shaft average value (mm)	N	25	34	41	47	56	66	65	

1Nm = 8.85 in lbs