

## RESILIENT SEAT GATE VALVE PN10/16 LONG PATTERN DIN 3202-F5 CTC EPDM

Resilient seat gate valve full and total bore for water distribution.  
Sliding pad to facilitating the wedge movement up to DN200.  
3 NBR O ring on stem and NBR bonnet gasket.  
Possibility to change stem gasket under pressure from DN80 to DN600

**Certificate**

**3.1**



**Size :** DN40 to DN600  
**Connection :** Flanges PN10/16  
**Min Temperature :** -10°C  
**Max Temperature :** +70°C  
**Max Pressure :** 16 Bars up to DN400, 10 bars over  
**Specifications :** Non rising stem  
Clockwise to close (CTC)  
Full and total bore

**Materials :** Ductile iron body EN GJS-500-7



## RESILIENT SEAT GATE VALVE PN10/16 LONG PATTERN DIN 3202-F5 CTC EPDM

### FLOW COEFFICIENT Kvs ( M3 / h ) :

DN	40	50	65	80	100	125	150	200
Kvs ( m3/h )	118	229	360	537	933	1595	2685	5004

DN	250	300	350	400	450	500	600
Kvs ( m3/h )	8393	12072	16348	21528	29372	37117	52626

### HEAD LOSS CALCULATION FOR WATER :

$$\Delta p = ( Q / Kvs )^2$$

Q : flow in m³/h

Δp : Head loss in bar

### TORQUE VALUE ( in Nm without safety coefficient ) :

DN	40	50	65	80	100	125	150	200	250	300
Torque ( Nm )	15	20	20	30	40	40	75	125	175	200

DN	350	400	450	500	600
Torque ( Nm )	325	350	430	460	480

### NUMBER OF CYCLES TO CLOSE OR OPEN THE VALVE :

DN	40	50	65	80	100	125	150	200	250	300
Number of cycles	13	14.5	18.75	21.5	21.5	24.5	30	34	45.25	49.75

DN	350	400	450	500	600
Number of cycles	55	61	52	57	66

## RESILIENT SEAT GATE VALVE PN10/16 LONG PATTERN DIN 3202-F5 CTC EPDM

### RANGE :

- Ductile iron body flanged R.F. PN10/16 with square drive nut and ductile iron wedge EPDM coated **Ref. 184** from DN 40 to 600

### ACCESSORIES :



- Possible with handwheel ( option ) **Ref. 9801594-9801598** from DN40 to DN400



- Stem extension 1 meter long **Ref. 9802020** from DN50 to DN300 and **Ref. 9802029** from DN350 to DN400

- Stem extension 1,25 meter long **Ref. 9802031** from DN50 to DN300 and **Ref. 9802040** from DN350 to DN400

- Stem extension 1,5 meter long **Ref. 9802042** from DN50 to DN300 and **Ref. 9802051** from DN350 to DN400



- Stem extension 1,3 to 1,8 meter long **Ref. 9802060** from DN50 to DN200

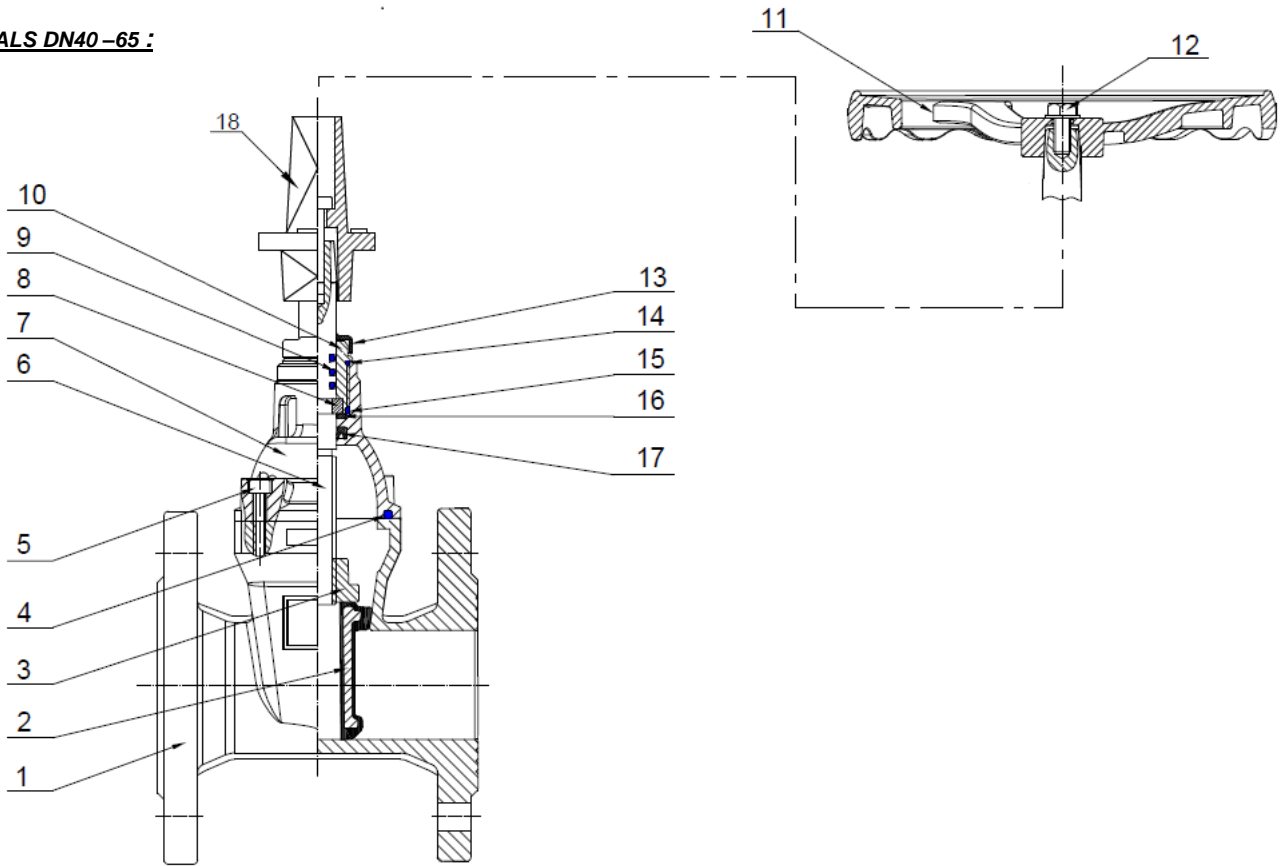
- Stem extension 2 to 2,5 meter long **Ref. 9802070** from DN50 to DN200



- Tee key
  - 1 meter long square 35 mm **Ref.9802080** from DN50 to DN300
  - 1.8 meter long square 35 mm **Ref.9802081** from DN50 to DN300
  - 1 meter long square 35 mm **Ref.9802082** from DN350 to DN400

## RESILIENT SEAT GATE VALVE PN10/16 LONG PATTERN DIN 3202-F5 CTC EPDM

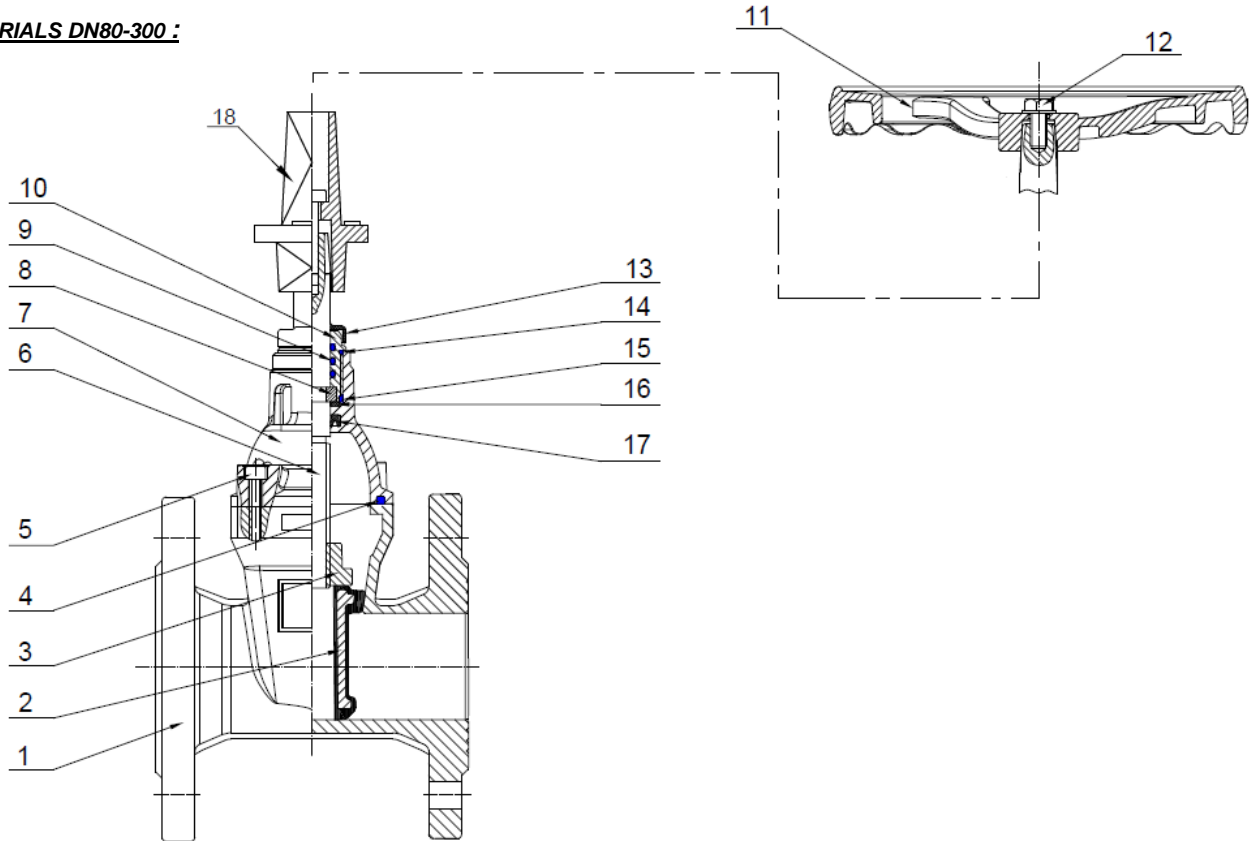
**MATERIALS DN40-65 :**



Item	Designation	Materials
1	Body	Ductile iron EN GJS-500-7
2	Wedge	Ductile iron EN GJS-500-7 EPDM coated
3	Stem nut	Brass CuZn39Pb2
4	Bonnet gasket	NBR
5	Bonnet screw	C35
6	Stem	SS 420
7	Bonnet	Ductile iron EN GJS-500-7
8	Holding ring	Brass CuZn39Pb2
9	Stem O ring	NBR
10	Nut	Brass CuZn39Pb2
11	Handwheel	Ductile iron EN GJS-500-7
12	Handwheel screw	SS 304
13	Dust-coat	NBR
14	Stem O ring	NBR
15	Stem O ring	NBR
16	Ring	Nylon 66
17	Auto sealing ring	NBR
18	Square drive nut	Ductile iron EN GJS-500-7

## RESILIENT SEAT GATE VALVE PN10/16 LONG PATTERN DIN 3202-F5 CTC EPDM

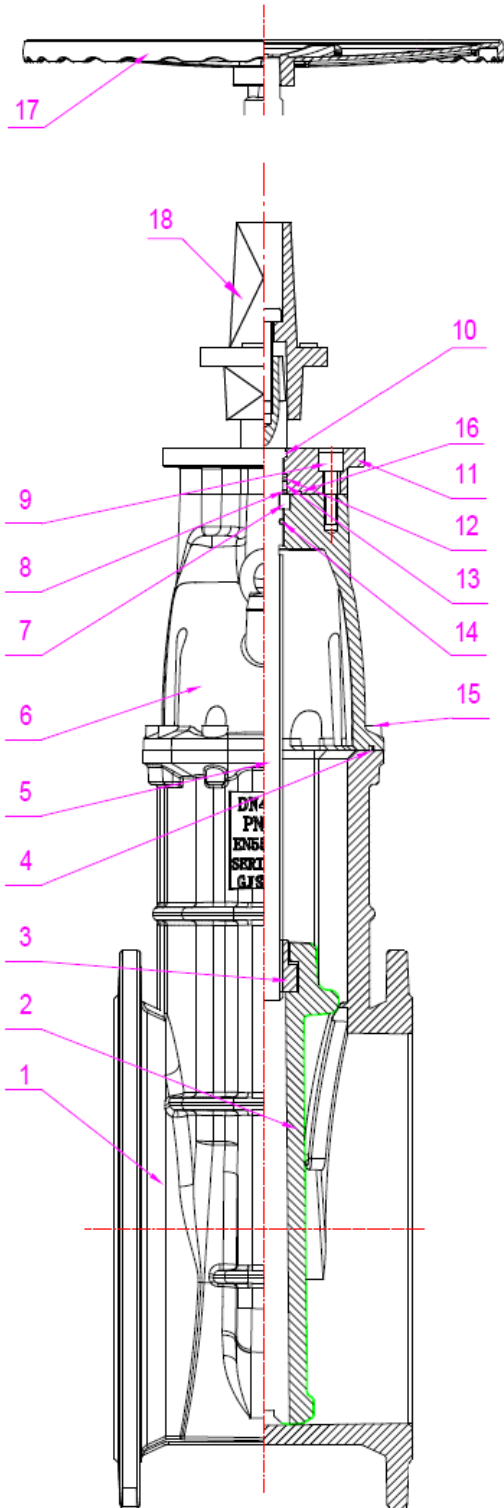
**MATERIALS DN80-300 :**



Item	Designation	Materials
1	Body	Ductile iron EN GJS-500-7
2	Wedge	Ductile iron EN GJS-500-7 EPDM coated
3	Stem nut	Brass CuZn39Pb2
4	Bonnet gasket	NBR
5	Bonnet screw	C35
6	Stem	SS 420
7	Bonnet	Ductile iron EN GJS-500-7
8	Holding ring	Brass CuZn39Pb2
9	Stem O ring	NBR
10	Nut	Brass CuZn39Pb2
11	Handwheel	Ductile iron EN GJS-500-7
12	Handwheel screw	SS 304
13	Dust-coat	NBR
14	Stem O ring	NBR
15	Stem O ring	NBR
16	Ring	Nylon 66
17	Auto sealing ring	NBR
18	Square drive nut	Ductile iron EN GJS-500-7

## RESILIENT SEAT GATE VALVE PN10/16 LONG PATTERN DIN 3202-F5 CTC EPDM

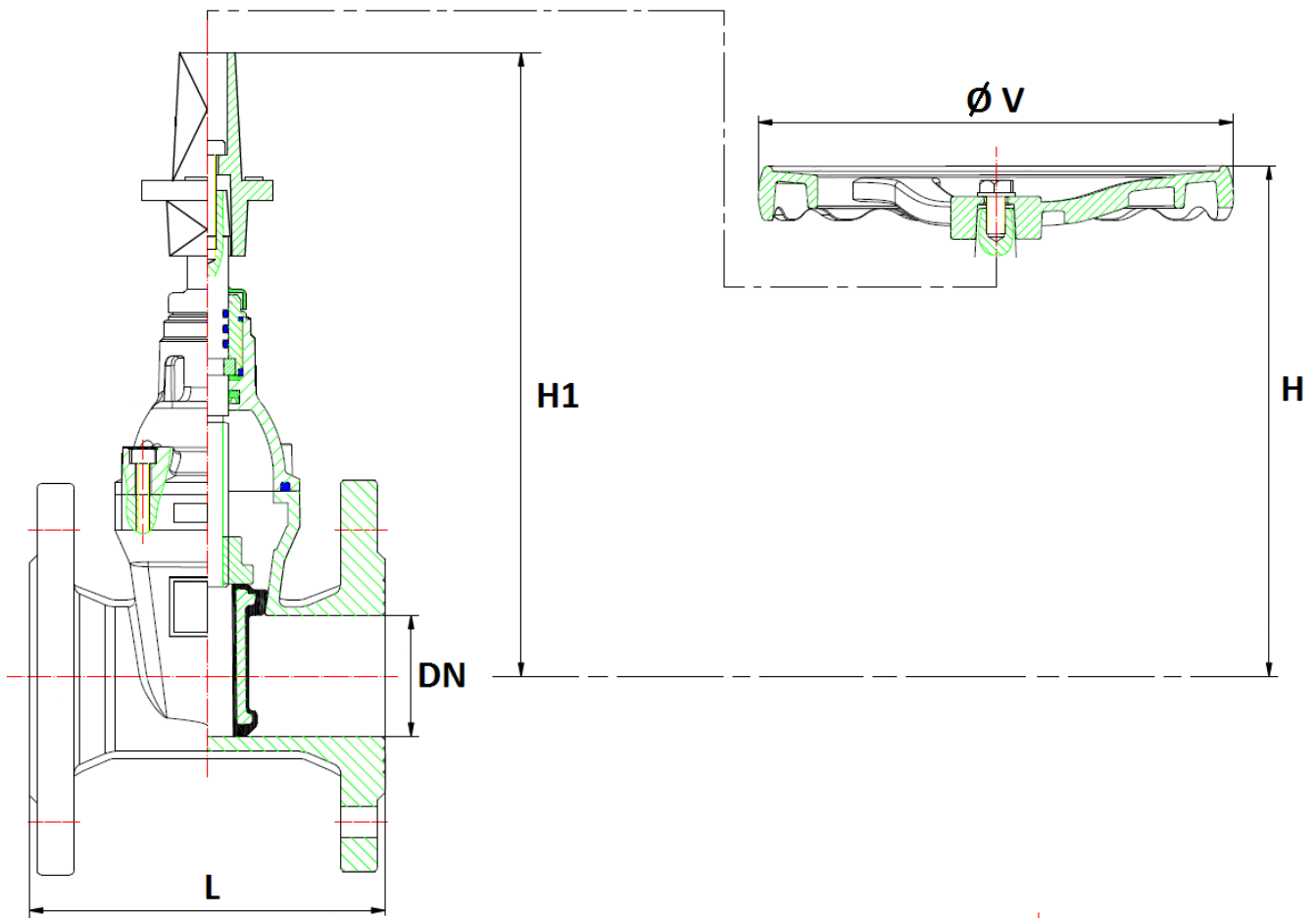
MATERIALS DN350 – 600 :



Item	Designation	Materials
1	Body	Ductile iron EN GJS-500-7
2	Wedge	Ductile iron EN GJS-500-7 + EPDM
3	Stem nut	Brass CuZn39Pb2
4	Bonnet gasket	NBR
5	Stem	SS 420
6	Bonnet	Ductile iron EN GJS-500-7
7	Holding ring	Brass CuZn39Pb2
8	O ring	NBR
9	Screw	RSt37-2
10	Dust-coat	NBR
11	Gland	Ductile iron EN GJS-500-7
12	O ring	NBR
13	Ring	Nylon 66
14	O ring	NBR
15	Bonnet bolt	Steel C35
16	O ring	NBR
17	Handwheel	Ductile iron EN GJS-500-7
18	Square drive nut	Ductile iron EN GJS-500-7

## RESILIENT SEAT GATE VALVE PN10/16 LONG PATTERN DIN 3202-F5 CTC EPDM

SIZE DN40 - 65 ( in mm ) :

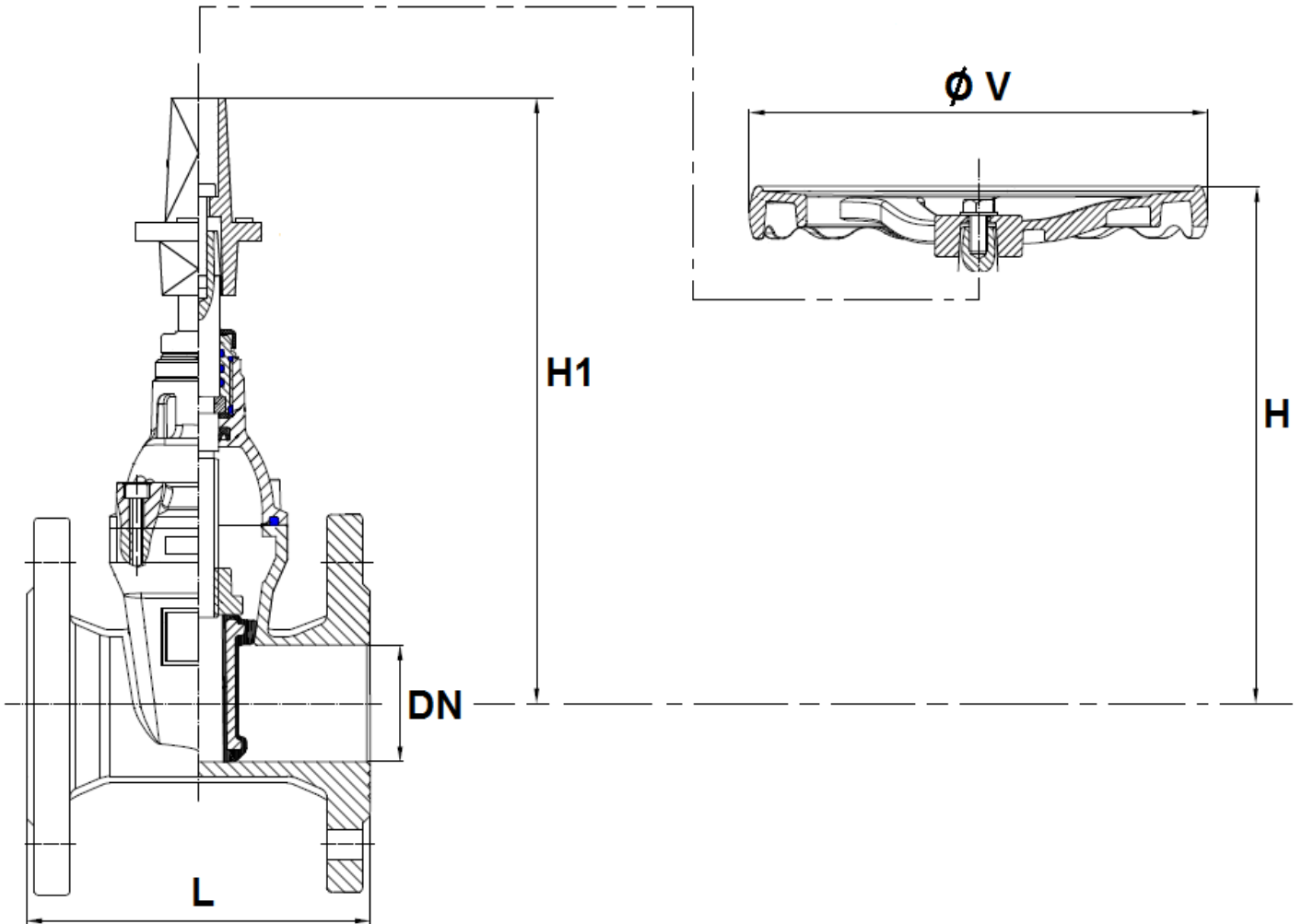


DN	40	50	65
L	240	250	270
H	190	215	235
H1	260	285	300
Ø V	200	200	200
Weight (in Kg)	7.80	9.48	13.10
Ref.	184040	184050	184065



## RESILIENT SEAT GATE VALVE PN10/16 LONG PATTERN DIN 3202-F5 CTC EPDM

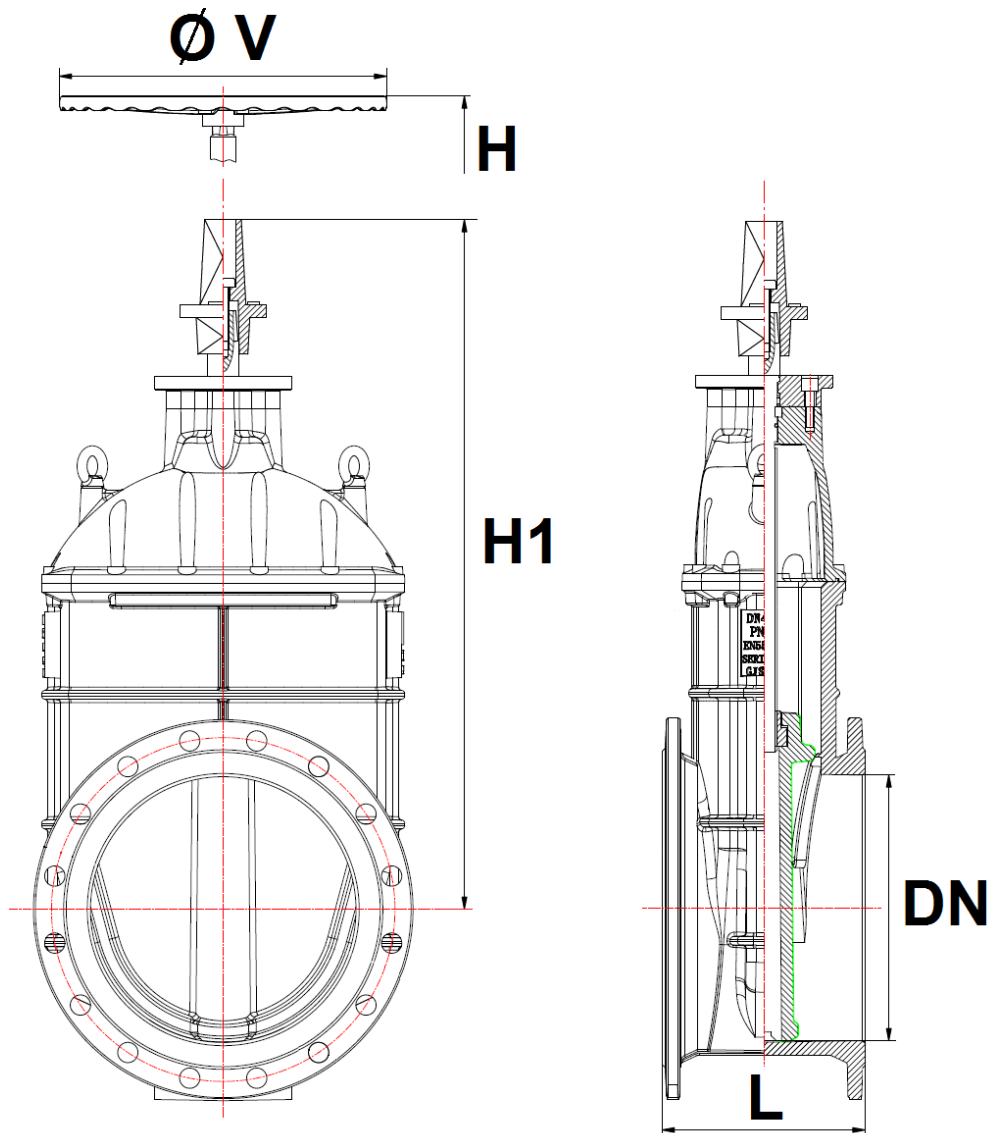
SIZE DN80-300 ( in mm ) :



DN	80	100	125	150	200	250	300
L	280	300	325	350	400	450	500
H	265	315	350	385	485	600	680
H1	320	390	430	470	560	680	770
Ø V	254	254	315	315	315	406	406
Weight (in Kg)	15.30	20.50	24.70	35.90	61.20	98.90	134.90
Ref.	184080	184100	184125	184150	184200	184250	184300

## RESILIENT SEAT GATE VALVE PN10/16 LONG PATTERN DIN 3202-F5 CTC EPDM

SIZE DN350 - 600 ( in mm ) :

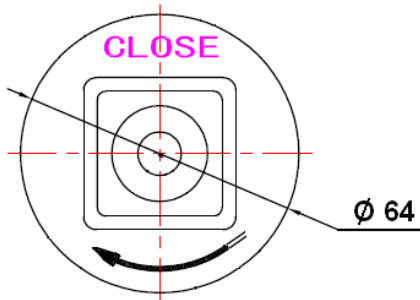
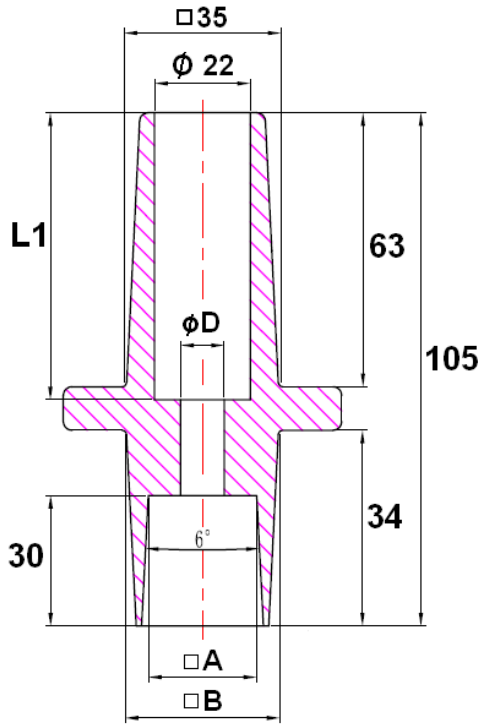


DN	350	400	450	500	600
L	550	600	650	700	800
H	810	890	1050	1230	1260
H1	900	1000	1150	1330	-
$\text{Ø V}$	500	500	500	650	650
Weight (in Kg)	225.90	248.50	410	517.30	810
Ref.	184350	184400	184450	184500	184600

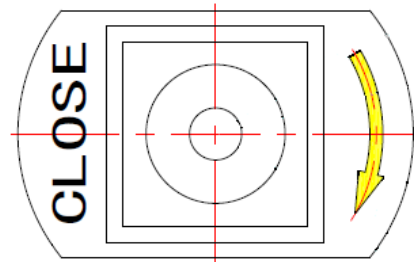
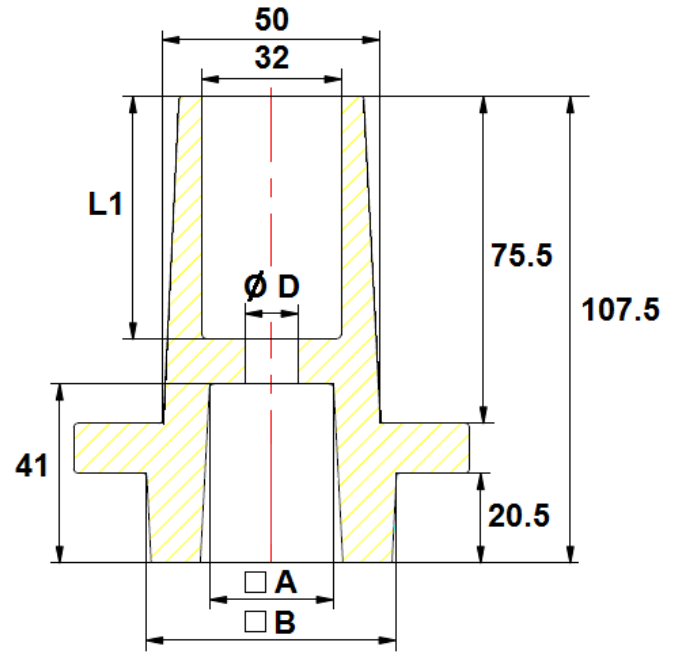
## RESILIENT SEAT GATE VALVE PN10/16 LONG PATTERN DIN 3202-F5 CTC EPDM

SQUARE DRIVE NUT SIZE ( in mm ) :

**DN 40 – 300**



**DN 350 - 400**

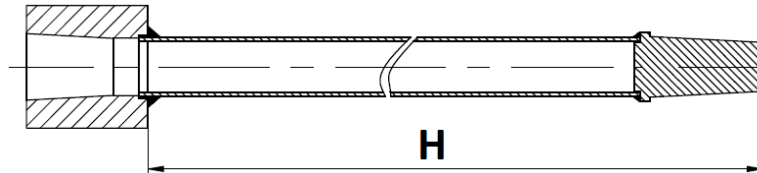


DN	40	50	65	80	100	125	150	200	250	300	350	400
A	14	14	14	17	17	19	19	19	24	24	28.5	28.5
B	34	34	34	34	34	36	36	36	42.5	42.5	57.5	57.5
L1	66	66	66	63	63	63	63	63	63	63	56	56
Ø D	10	10	10	10	10	10	10	10	12	12	12	12
Weight ( Kg )	0.7	0.7	0.7	0.6	0.6	0.6	0.6	0.6	0.7	0.7	0.96	0.96
Ref.	9801831	9801831	9801831	9801832	9801832	9801833	9801833	9801833	9801834	9801834	9801838	9801838

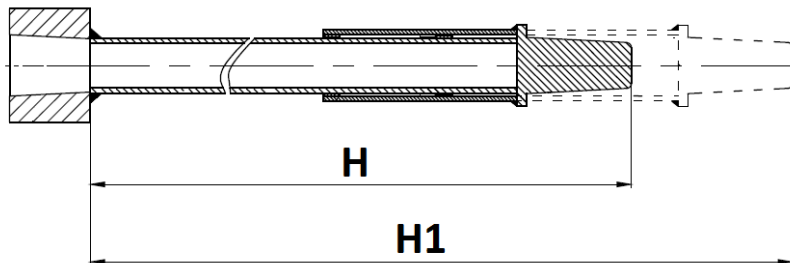
## RESILIENT SEAT GATE VALVE PN10/16 LONG PATTERN DIN 3202-F5 CTC EPDM

STEM EXTENSION SIZE DN50-400 ( in mm ) :

FIXED TYPE



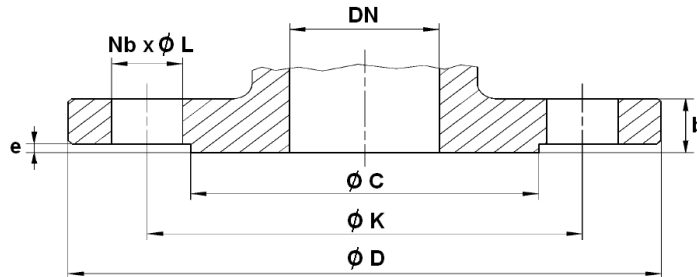
TELESCOPIC TYPE



Ref.	DN	H	H1	Weight (Kg)
9802020	50-300	1000	-	3.7
9802031	50-300	1250	-	4.2
9802042	50-300	1500	-	4.5
9802060	50-200	1300	1800	9.6
9802070	50-200	2000	2500	11.8
9802029	350-400	1000	-	5.7
9802040	350-400	1250	-	6.5
9802051	350-400	1500	-	7.4

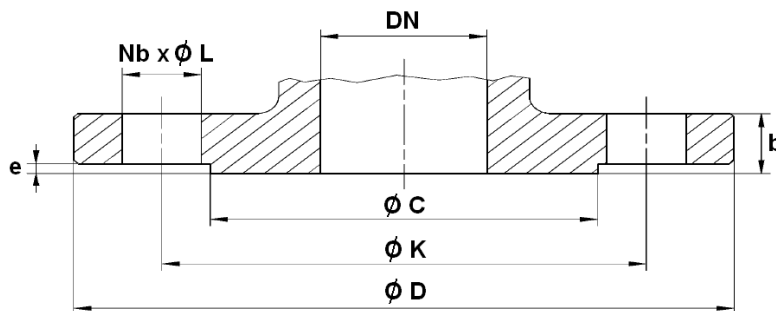
## RESILIENT SEAT GATE VALVE PN10/16 LONG PATTERN DIN 3202-F5 CTC EPDM

### SIZE PN10 FLANGES ( in mm ) :



PN	PN10/16							PN10							
DN	40	50	65	80	100	125	150	200	250	300	350	400	450	500	600
Ø C	84	99	118	132	156	184	211	266	319	370	429	480	530	582	682
Ø D	150	165	185	200	220	250	285	340	405	460	520	580	640	715	840
Ø K	110	125	145	160	180	210	240	295	350	400	460	515	565	620	725
Nb x Ø L	4 x 19	4 x 19	4 x 19	8 x 19	8 x 19	8 x 19	8 x 23	8 x 23	12 x 23	12 x 23	16 x 23	16 x 28	20 x 28	20 x 28	20 x 31
b	19	19	19	19	19	19	19	20	22	24.5	26.5	28	30	31.5	36
e	3	3	3	3	3	3	3	3	3	4	4	4	4	4	5
Ref.	184040	184050	184065	184080	184100	184125	184150	184200	184250	184300	184350	184400	184450	184500	184600

### SIZE PN16 FLANGES ( in mm ) :



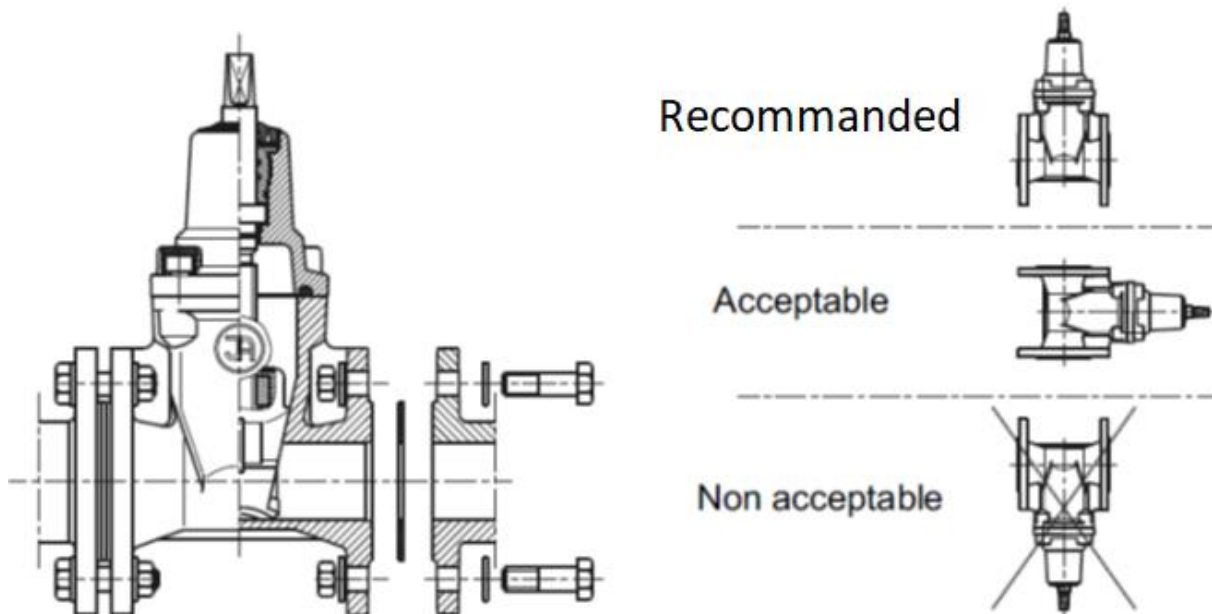
PN	PN16				
DN	200	250	300	350	400
Ø C	266	319	370	429	480
Ø D	340	405	460	520	580
Ø K	295	355	410	470	525
Nb x Ø L	12 x 23	12 x 28	12 x 28	16 x 28	16 x 31
b	20	22	24.5	26.5	28
e	3	3	4	4	4
Ref.	184201	184251	184301	184351	184401

## RESILIENT SEAT GATE VALVE PN10/16 LONG PATTERN DIN 3202-F5 CTC EPDM

### STANDARDS :

- Manufacturer certified ISO 9001 :2015 and ISO 14001 : 2015
- Designing according to DIN EN 1171
- Pressure tests according to EN 12266-1, Rate A
- DIRECTIVE 2014/68/EU : Products excluded, article 1, § 2b up to DN300  
Risk category I Module A from DN350 to 600
- Certificate 3.1 on request
- Length according to EN 558 series 15 ( DIN 3202 F5 )
- Flanges R.F. according to EN 1092-2 PN10/16

### INSTALLATION POSITIONS :



**ADVICE :** Our opinion and our advice are not guaranteed and SENSOR shall not be liable for the consequences of damages. The customer must check the right choice of the products with the real service conditions.