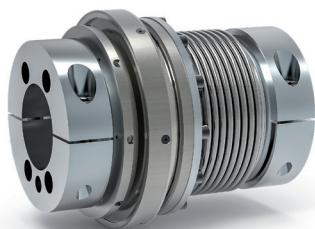


# BACKLASH FREE TORQUE LIMITERS (WITH FULLY SPLIT CLAMPING HUB)

0.1 - 2,800 Nm

## PROPERTIES



### MATERIAL

- ▶ **Bellows:** high grade stainless steel
- ▶ **Clutch system:** hardened steel
- ▶ **Clamping hubs:** up to size 80 aluminum. size 150 and up steel

### TEMPERATURE RANGE:

- ▶ Operable temperature range from -30 to +100 deg. C
- ▶ Higher temperatures on request

### DESIGN

Two clamping hubs with two clamping screw in each. Clutch system: spring loaded ball-detent principle.

### SHAFT FIT CLEARANCE:

Overall shaft / hub clearance  
0.01-0.05mm

### AVAILABLE FUNCTION SYSTEMS

- ▶ **W** = Single position / automatic re-engagement (standard)
- ▶ **D** = Multi-position / automatic re-engagement
- ▶ **G** = Load holding / load blocking
- ▶ **F** = Full disengagement / manual re-engagement

## MODEL SKH

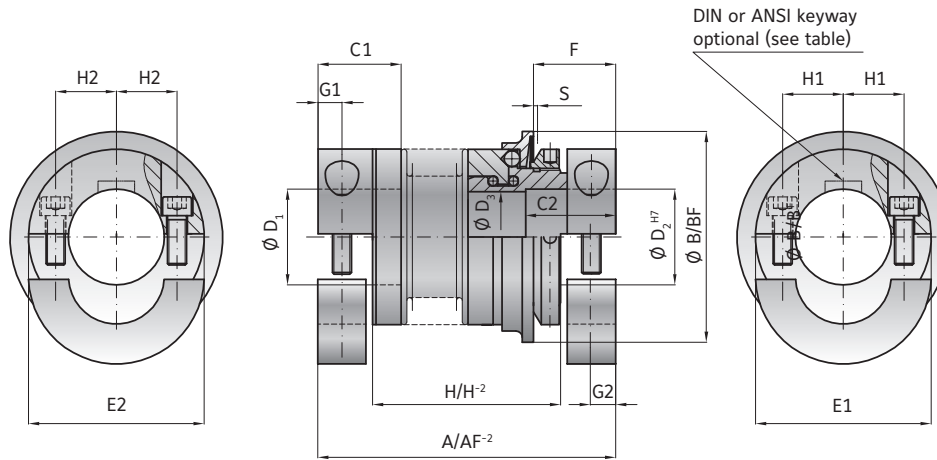
SIZE		1.5	2		4.5		10		15		30		60	
Adjustment range available from - to (approx. values) (Nm)	T	0.1-0.6 0.4-1 0.8-1.5	0.2-1.5 0.5-2		1-3 or 3-6		2-6 or 4-12		5-10 or 8-20		10-25 or 20-40		10-30 or 25-80	
Adjustment range available from (approx. values) ("F" Version) (Nm)	T <sup>F</sup>	0.3-0.8 or 0.6-1.3	0.2-1 or 0.7-2		2.5-4.5		2-5 or 5-10		7-15		8-20 or 16-30		20-40 or 30-60	
Overall length (mm)	A	42	48	54	60	68	68	78	73	83	89	97	104	114
Distance (mm)	H	27	30.5	36	37.5	45.5	45.5	55.5	46	53	54.5	62.5	62.5	72.5
Overall length ("F" Version) (mm)	A <sup>F</sup>	42	48	54	60	68	68	78	76	83	89	97	104	114
Distance ("F" Version) (mm)	H <sup>F</sup>	27	30.5	36	37.5	45.5	45.5	55.5	46	53	54.5	62.5	62.5	72.5
Actuation ring Ø (mm)	B	23	29		35		45		55		65		73	
Actuation ring Ø ("F" Version) (mm)	B <sup>F</sup>	24	32		42		51.5		62		70		83	
Clamping fit length (mm)	C1	11	12.8		16		16		22		26.5		31	
Clamping fit length (mm)	C2	7.2	8.4		11.5		11.4		23.1		28.2		33	
Inside diameter from Ø to Ø H7 (mm)	D1	3-8	4-12.7		5-16		5-20		10-28		10-30		14-35	
Inside diameter from Ø to Ø H7 (with DIN 6885 keyway) (mm)	D1 <sup>N</sup>	6-8	6-12.7		6-16		6-20		10-28		10-30		14-35	
Inside diameter from Ø to Ø H7 (mm)	D2	4-8	4-12		5-14		5-20		10-26		10-30		14-32	
Inside diameter from Ø to Ø H7 (with DIN 6885 keyway) (mm)	D2 <sup>N</sup>	6	6-8		6-12		6-12		10-22		10-28		14-32	
Diameter (mm)	D3	6	8		12		12		21.1		24.1		32.1	
Outside diameter of clamping hubs D1/D2 (mm)	E1/E2	21.2/20	25/27		32/32		40/40		49/49		55/55		66/66	
Distance (mm)	F	12.5-13.4	15.4-16.1		17.6-18.5		18.9-19.5		21.5-22.5		25.5-26.5		29-30	
Distance ("F" Version) (mm)	F <sup>F</sup>	12.5-13.4	14.8-15.5		17.4-18.2		18-19		21-22		23-25		27.5-29	
Distance (approx. values) (mm)	G1/G2	3.5/3.2	4.1/4.2		5.1/5.1		5.1/5.1		7/7		7.5/7.5		9.5/9.5	
Distance between centers (mm)	H1/H2	7.2/6.5	8/9.5		10.3/11		14.7/14.7		17.5/17.5		19/19		32.2/32.2	
Screw ISO 4762 (mm)	I	4xM2.5	4xM3		4xM4		4xM4		4xM5		4xM6		4xM8	
Tightening torque (Nm)	I	1	2		4		4.5		8		15		40	
Approx. weight (kg)	I	0.047	0.07		0.2		0.3		0.4		0.6		1	
Moment of inertia (10 <sup>-3</sup> kgm <sup>2</sup> )	J <sub>ges</sub>	0.01	0.01	0.01	0.02	0.02	0.06	0.07	0.10	0.15	0.27	0.32	0.75	0.80
Torsional stiffness (10 <sup>3</sup> Nm/rad)	CT	0.7	1.2	1.3	7	5	9	8	20	15	39	28	76	55
Lateral ± (mm)	max. values	0.15	0.15	0.20	0.20	0.25	0.20	0.30	0.15	0.20	0.20	0.25	0.20	0.25
Angular ± (degree)	max. values	1	1	1.5	1.5	2	1.5	2	1	1.5	1	1.5	1	1.5
Lateral spring stiffness (N/mm)		70	40	30	290	45	280	145	475	137	900	270	1200	420
Actuation distance from EBS / from - to (mm)	S	0.3-0.7	0.3-0.8		0.4-1		0.4-1		0.8-1.3		1-1.4		1.1-1.6	

INQUIRE NOW VIA CONTACT FORM

<https://www.rw-couplings.com/contact>

# BACKLASH FREE TORQUE LIMITERS (WITH FULLY SPLIT CLAMPING HUB)

0.1 - 2,800 Nm



## MODEL SKH

SIZE			150		200		300		500		800		1500		2500							
Adjustment range available from - to (approx. values)	(Nm)	T	20-70	45-150	80-180	30-90	60-160	120-240	100-200	150-240	200-320	80-200	200-350	300-500	400-600	500-800	650-800	700-1,200	1,000-1,800	1,500-2,000	2,000-2,500	2,300-2,800
Adjustment range available from (approx. values) ("F" Version)	(Nm)	T <sup>F</sup>	20-60	40-80	80-150	80-140	or 130-200	120-180	or 160-300	60-150	100-300	200-400	or 450-800	1,000-1,250	or 1,250-1,500	1,400-2,200	or 1,800-2,700					
Overall length	(mm)	A	118	130	130.5	142.5	141	155	164	178	189	224.1	308									
Distance	(mm)	H	70	82	76.5	88.5	84.5	98.5	93	107	115	130.1	198									
Overall length ("F" Version)	(mm)	A <sup>F</sup>	120	132	134.5	146.4	143.5	157.5	169	183	201	236	314									
Distance ("F" Version)	(mm)	H <sup>F</sup>	72	84	80.5	92.5	87	101	98	112	126.5	142	204									
Actuation ring Ø	(mm)	B	92		99		120		135		152		174		243							
Actuation ring Ø ("F" Version)	(mm)	B <sup>F</sup>	98		117		132		155		177		187		258							
Clamping fit length	(mm)	C1	35.5		40.5		42.5		50.5		45		65		82							
Clamping fit length	(mm)	C2	37		44		44.3		54.5		47.7		67		78.5							
Inside diameter from Ø to Ø H7	(mm)	D1	19-42		24-45		30-60		35-60		40-75		50-80		60-100							
Inside diameter from Ø to Ø H7 (with DIN 6885 keyway)	(mm)	D1 <sup>N</sup>	19-42		24-45		30-60		35-60		40-75		50-80		60-100							
Inside diameter from Ø to Ø H7	(mm)	D2	19-42		24-45		30-60		35-60		40-75		50-80		60-100							
Inside diameter from Ø to Ø H7 (with DIN 6885 keyway)	(mm)	D2 <sup>N</sup>	19-42		24-45		30-60		35-60		40-75		50-80		60-100							
Diameter	(mm)	D3	38.05		42.5		58		60.1		60.1		68.1		100.1							
Outside diameter of clamping hubs D1/D2	(mm)	E1/E2	81/81		90/90		110/110		122.5/122.5		132/132		157/157		198/198							
Distance	(mm)	F	32-33		36-37.5		38-40.5		47-49		49.5-51.5		60-62		81-83							
Distance ("F" Version)	(mm)	F <sup>F</sup>	33-35		36.5-40		36-39		48-51.5		53-57.5		59-63		79-83							
Distance (approx. values)	(mm)	G1/G2	12/11		12.5/12.5		14/13		16.8/16.8		17.5/17.5		22.5/22.5		26/26							
Distance between centers	(mm)	H1/H2	27.3/27.3		30.5/30.5		39/39		41/41		48/48		55/55		75/75							
Screw ISO 4762	(mm)	I	4xM10		4xM12		4xM12		4xM16		4xM16		4xM20		4xM20							
Tightening torque	(Nm)	I	70		120		130		200		250		470		500							
Approx. weight	(kg)		2.4		4		5.9		9.6		14		21		43							
Moment of inertia (10 <sup>-3</sup> kgm <sup>2</sup> )	J <sub>ges</sub>		2.5	2.8	5.1	5.3	11.5	11.8	22.8	23.0	42.0	83.0	348									
Torsional stiffness (10 <sup>3</sup> Nm/rad)	CT		175	110	191	140	420	350	510	500	780	1304	3400									
Lateral ± (mm)	max. values		0.20	0.25	0.25	0.30	0.25	0.30	0.30	0.35	0.35	0.35	0.35									
Angular ± (degree)			1	1.5	1.5	2	1.5	2	2	2.5	2.5	2.5	2.5									
Lateral spring stiffness (N/mm)			1550	435	2040	610	3750	1050	2500	840	2000	3600	6070									
Actuation distance from BBS / from - to	(mm)	S	1.1-1.7		1.7-2.3		1.8-2.4		1.7-2.4		1.7-2.5		2.4-3		2.8-3.2							

ORDERING EXAMPLE	SKH	60	104	D	16	19	25	10-30	XX
Model	●								
Size		●							
Overall length mm			●						
Function system				●					
Bore D1 H7					●				
Bore D2 H7						●			
Disengagement torque Nm							●		
Torque adjustment range Nm								●	

Special designation only (e.g. special bore / keyway dimensions).

For custom features place an XX at the end of the part number and describe the special requirements (e.g. SKH / 60 / 104 / D / 16 / 19 / 25 / 10-30 / XX)