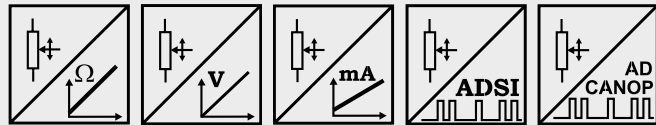


POSIWIRE®
WS10ZG
Analog, SSI or CANopen Output



WS10 in a zinc diecast housing

- Protection class IP65
- Measurement range 0 ... 100 mm to 0 ... 1250 mm
- Analog output or
A/D converted synchronous serial output (SSI) or
A/D converted CANopen output



Specifications	Outputs	Potentiometer 1 kΩ Voltage 0 ... 10 V Current 4 ... 20 mA, 2 or 3 wire Voltage or current output, programmable (PMUV/PMUI) A/D converted synchronous serial interface (SSI) A/D converted CANopen bus
	Resolution	Analog: essentially infinite ADSI16: max. 16 bit f.s. ADCANOP: 16 bit f.s.
	Linearity	Up to ±0.05% f.s.
	Sensing device	Precision potentiometer
	Material	Zinc diecast, aluminum and stainless steel; measuring cable: stainless steel
	Protection class	IP65 (with mating connector only)
	Connection	Male 8 pin socket M12 (ADCANOP: 5 pin socket)
	Weight	1.1 kg approx.
	EMC, temperature	Refer to output specification

Order code WS10ZG



Model name

Measurement range (in mm)

100 / 125 / 375 / 500 / 750 / 1000 / 1250

Output

- R1K = Potentiometer 1 kΩ
- 10V = 0 ... 10 V signal conditioner
- 420A = 4 ... 20 mA signal conditioner
- 420T = 4 ... 20 mA signal conditioner
- PMUV/PMUI = Programmable 0... 10 V or 4 ... 20 mA signal conditioner
- ADSI16 = A/D converted synchronous serial interface 16 bit (12 or 14 bit opt.)
- ADCANOP = A/D converted CANopen bus

Linearity

L10 = ±0.10 % option: L05 = ±0.05 % L25 = ±0.25 %

Cable fixing

- M4 = M4 cable fixing
- SB0 = Cable clip

Connection

M12 = 8 pin socket M12 (ADCANOP: 5 pin)

Order code connector cable: see page 82/83

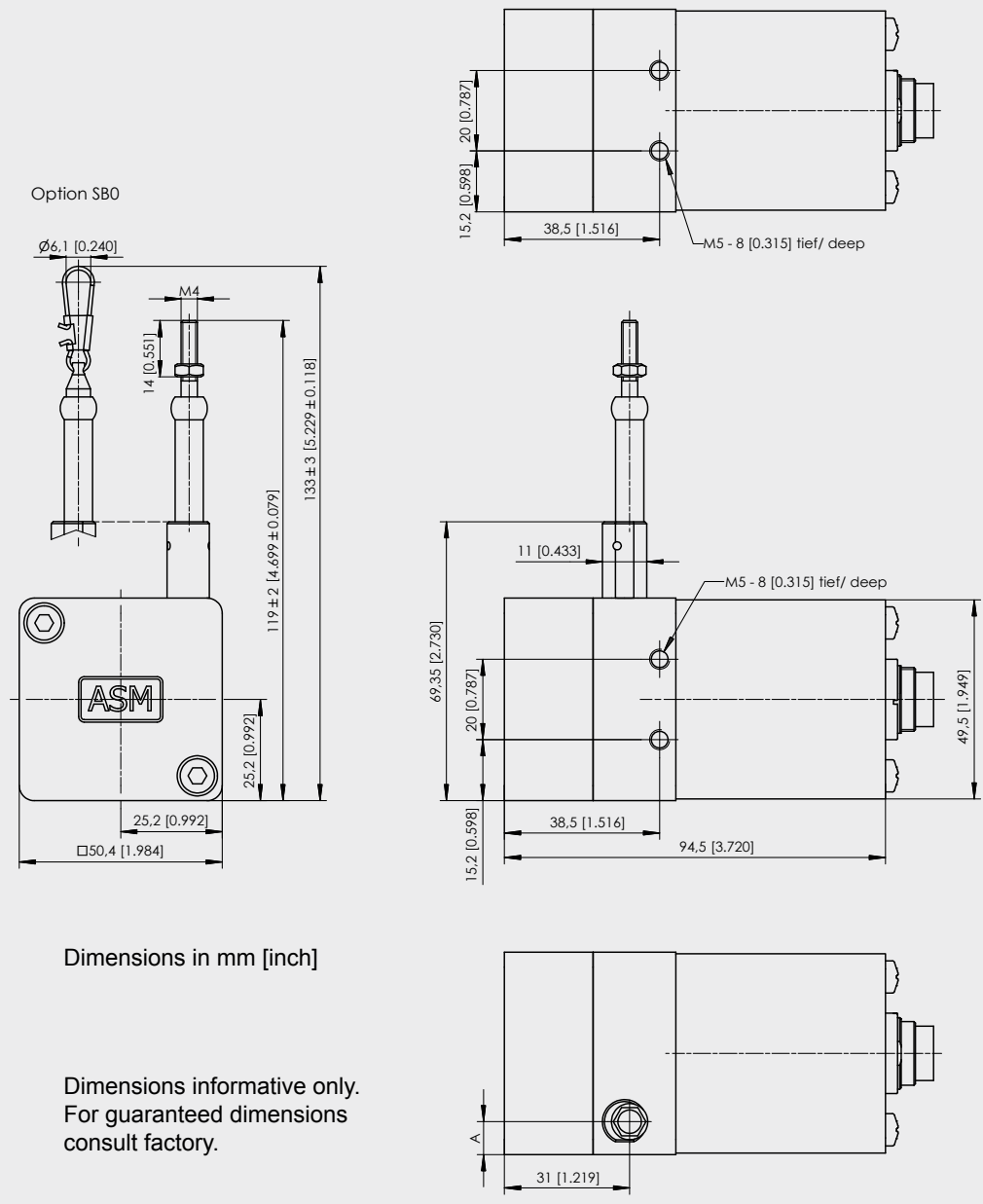
Order example: WS10ZG - 1250 - 10V - L10 - M4 - M12

POSIWIRE® WS10ZG Analog, SSI or CANopen Output



Cable forces, typical at 20 °C	Measurement range	Max. pull-out force	Min. pull-in force
	[mm]	[N]	[N]
	100	4.7	3.0
	125	4.6	2.4
	375	7.4	3.9
	500	5.5	2.8
	750	7.6	3.8
	1000	5.3	2.9
	1250	4.6	2.4

Outline drawing



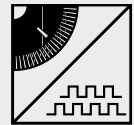
Dimensions in mm	Measurement range	A
	375; 750	12.4
100; 125; 500; 1000; 1250	8	

POSIWIRE® WS10ZG Incremental Encoder Output



WS10 in a zinc diecast housing

- Protection class IP65
- Measurement range 0 ... 1250 mm
- Incremental encoder output



Specifications		
Outputs	Incremental encoder output for reliable data transmission. The output is compatible with TTL and HTL.	
Resolution	10 or 25 pulses per mm (1/40 mm or 1/100 mm with external edge counting mode)	
Linearity	±0.05% f.s.	
Sensing device	Incremental encoder	
Material	Zinc diecast, aluminum and stainless steel; measuring cable: stainless steel	
Protection class	IP65 (with mating connector only)	
Connection	Male 8 pin socket M12	
Weight	Approx. 1.1 kg	
EMC, temperature	Refer to output specification	

Order code WS10ZG

WS10ZG - [] - [] - [] - [] - []

Model name

Measurement range (in mm)

1250

Pulses per mm

10 = 10 pulses per mm

25 = 25 pulses per mm

Other numbers of pulses on request

Output

PP530 = Incremental output 5 ... 30 V

IE41LI = Incremental encoder TTL compatible

IE41HI = Incremental encoder HTL compatible

Cable fixing

M4 = M4 cable fixing

SB0 = Cable clip

Connection

M12 = 8 pin socket M12

Order code connector cable: see page 82

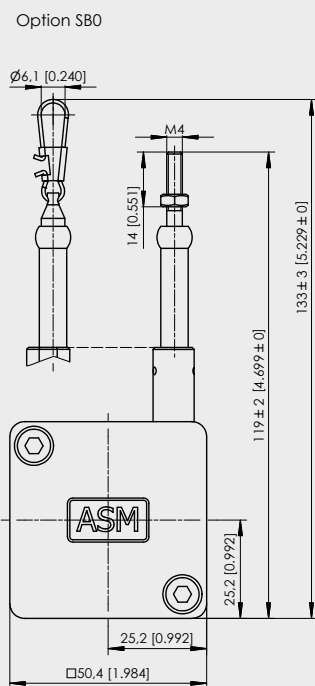
Order example: WS10ZG - 1250 - 10 - PP530 - M4 - M12

POSIWIRE® WS10ZG Incremental Encoder Output



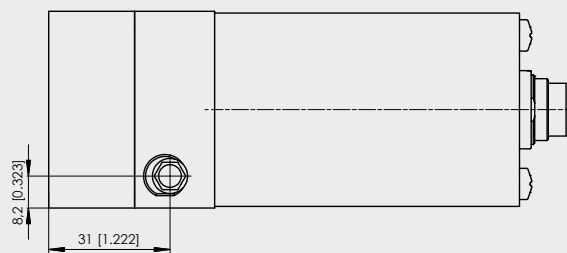
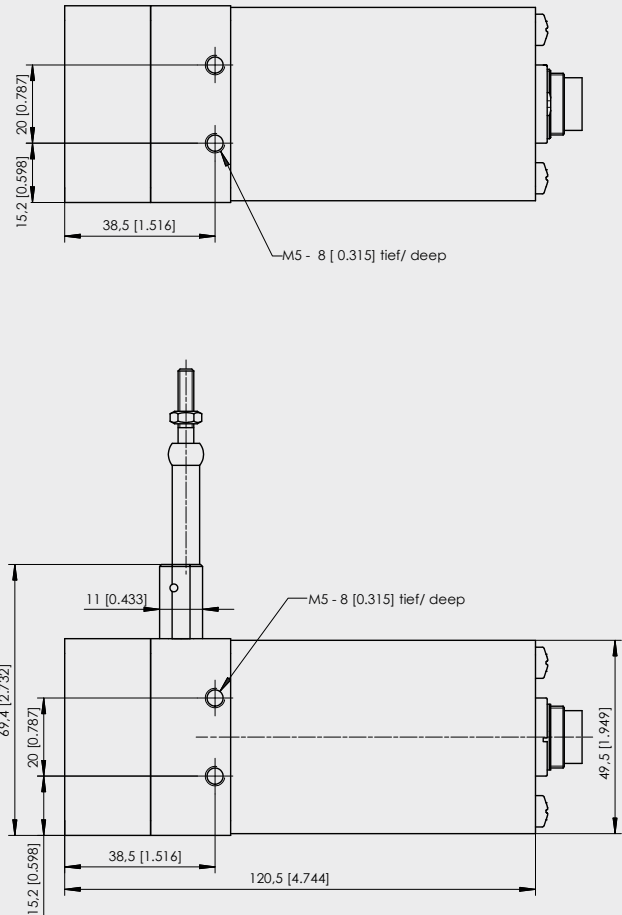
Cable forces, typical at 20 °C	Resolution	Max. pull-out force	Min. pull-in force
	[pulses per mm]	[N]	[N]
	10 / 25	5.8	3.0

Outline drawing



Dimensions in mm [inch]

Dimensions informative only.
For guaranteed dimensions
consult factory.

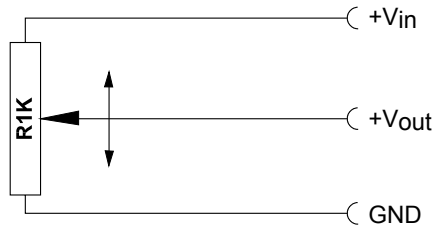


POSIWIRE® R1K and 10V Analog Output



Voltage divider R1K Potentiometer 	Excitation voltage	32 V DC max. at 1 kΩ (max. power 1 W)
	Potentiometer impedance	1 kΩ ±10 %
	Thermal coefficient	±25 x 10 ⁻⁶ / °C f.s.
	Sensitivity	Depends on the measuring range, individual sensitivity of the sensor is specified on the label
	Voltage divider utilization range	Approx. 3 % ... 97 %
	Operating temperature	-20 ... +85 °C

Output signals



Note: The Potentiometer must be connected as a voltage divider. The input impedance of the following processing circuit should be 10 MΩ min.

Signal conditioner 10V and 10V5 Voltage output 	Excitation voltage	18 ... 27 V DC non stabilized
	Excitation current	20 mA max.
	Output voltage	10V: 0 ... 10 V DC; 10V5: 0.5 ... 10 V DC
	Output current	2 mA max.
	Output load	> 5 kΩ
	Stability (temperature)	±50 x 10 ⁻⁶ / °C f.s.
	Protection	Reverse polarity, short circuit
	Output noise	0.5 mV _{RMS}
	Operating temperature	-20 ... +85 °C
	EMC	According EN 61326:2006

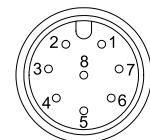
Output signals



Signal wiring	Signal name R1K	10V	Cable color	Connector pin no.
	+Vin	Excitation +	White	1
	GND	Excitation GND	Brown	2
	+Vout	Signal +	Green	3
		Signal GND	Yellow	4

Connection

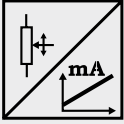
View to sensor connector



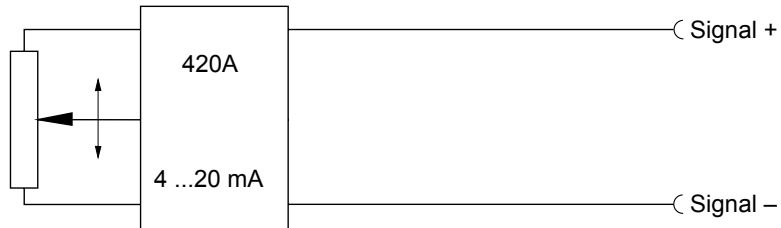
CONN-M12-8F

POSIWIRE® 420A and 420T Analog Output



Signal conditioner 420A Current output (2 wire) 	Excitation voltage	12 ... 27 V DC non stabilized, measured at the sensor terminals
	Excitation current	35 mA max.
	Output current	4 ... 20 mA equivalent for 0 ... 100 % range
	Stability (temperature)	$\pm 100 \times 10^{-6} / ^\circ\text{C}$ f.s.
	Protection	Reversed polarity, short circuit
	Output noise	0.5 mV _{RMS}
	Operating temperature	-20 ... +85 °C
	EMC	According to EN 61326:2006

Output signals



Signal conditioner 420T Current output (3 wire) 	Excitation voltage	18 ... 27 V DC non stabilized
	Excitation current	40 mA max.
	Load resistor	350 Ω max.
	Output current	4 ... 20 mA equivalent for 0 ... 100 % range
	Stability (temperature)	$\pm 50 \times 10^{-6} / ^\circ\text{C}$ f.s.
	Protection	Reverse polarity, short circuit
	Output noise	0.5 mV _{RMS}
	Operating temperature	-20 ... +85 °C
	EMC	According to EN 61326:2006

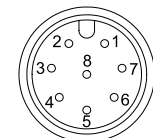
Output signals



Signal wiring	Signal name		Cable color	Connector pin no.
	420A	420T		
Signal +		Excitation +	White	1
Signal -		Excitation GND	Brown	2
		Signal +	Green	3

Connection

View to sensor
connector

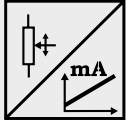
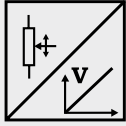


CONN-M12-8F

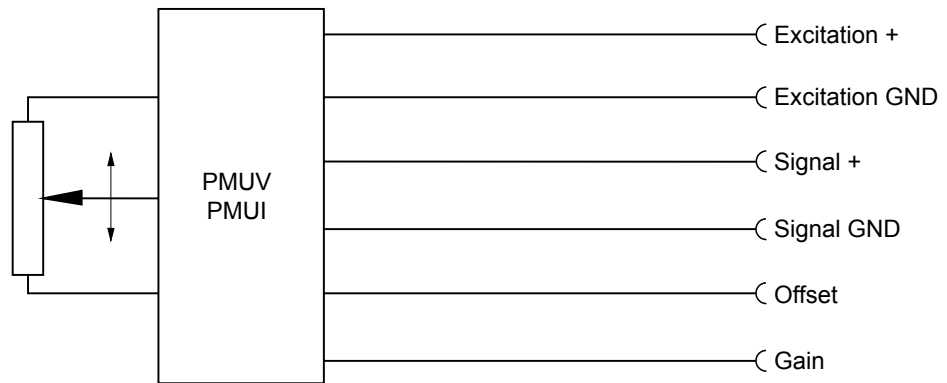
POSIWIRE® PMUV / PMUI Programmable Analog Output



Signal conditioner PMUV / PMUI Voltage or current output (3 wire)	Excitation voltage	18 ... 27 V DC
	Excitation current	50 mA max.
	Voltage output PMUV	0 ... 10 V
	Output current	10 mA max.
	Output load	1 kΩ min.
	Current output PMUI	4 ... 20 mA (3 wire)
	Working resistance	500 Ω max.
	Scaling	
	Activation of offset and gain adjust	Connect with excitation GND (0 V)
	Scalable range	90% max. f.s.
Stability (temperature)	±50 x 10 ⁻⁶ / °C f.s.	
Operating temperature	-20 ... +85 °C	
Protection	Reversed polarity, short circuit	
EMC	According to EN 61326:2006	



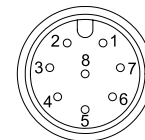
Output signals



Signal name	Connector pin no.
Excitation +	1
Excitation GND	2
Signal +	3
Signal GND	4
Not used	5
Not used	6
Offset	7
Gain	8

Connection

View to sensor
connector

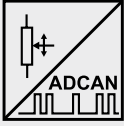


CONN-M12-8F

Signal name	Connector pin no.
Excitation +	1
Excitation GND	2
Not used	3
Not used	4
Signal +	5
Signal GND	6
Offset	7
Gain	8

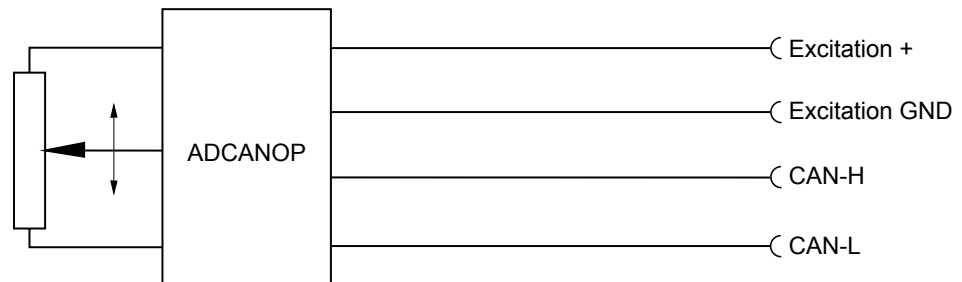
POSIWIRE® ADCANOP A/D Converted CANopen Bus



Interface ADCANOP 	Communication profile	CANopen CiA 301 V 4.02, Slave
	Encoder profile	Encoder CiA 406 V 3.2
	Error Control	Node Guarding, Heartbeat, Emergency Message
	Node ID	Adjustable via LSS
	PDO	3 TxPDO, 0 RxPDO, no linking, static mapping
	PDO Modes	Event-/Time triggered, Remote-request, Sync cyclic/acyclic
	SDO	1 server, 0 client
	CAM	2 cams
	Certified	Yes
	Transmission rates	50 kBaud to 1 MBaud, adjustable via LSS
	Nodes	127 max.
	Bus connection	M12 connector, 5 pins
	Integrated bus terminating resistor	No
	Bus, galvanic isolated	No

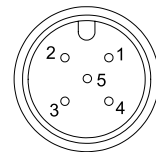
Specifications	Excitation voltage	8 ... 36 V DC
	Excitation current	Typ. 15/30 mA for 24/12 V, max. 100 mA
	Resolution	16 bit f.s.
	Measuring rate	1 kHz (asynchronous)
	Stability (temperature)	$\pm 50 \times 10^{-6}$ / °C f.s.
	Repeatability	1 LSB
	Operating temperature	-20 ... +85 °C
	Protection	Reverse polarity, short circuit
	Dielectric strength	1 kV (V AC, 50 Hz, 1 min.)
	Environment - EMC Automation	EN 61326:2006

Signal diagram



View to sensor connector

Signal wiring / connection	Signal name	Connector pin no.
	Shield	1
	Excitation +	2
	GND	3
	CAN-H	4
	CAN-L	5



POSIWIRE® PP530 Incremental Output

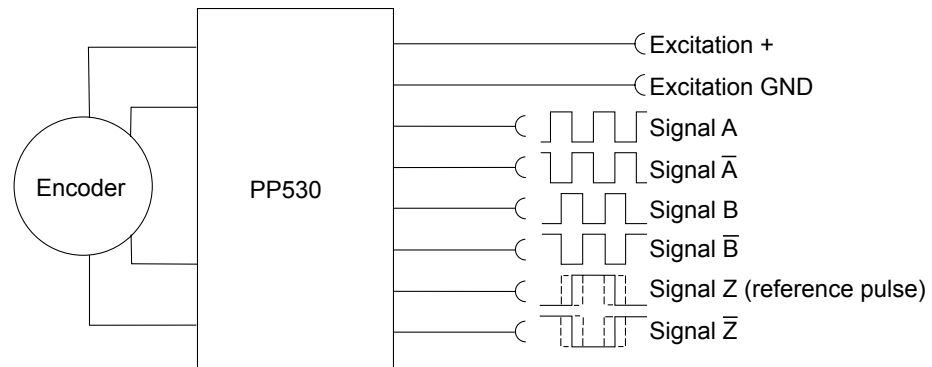


Signal conditioner PP530 Incremental

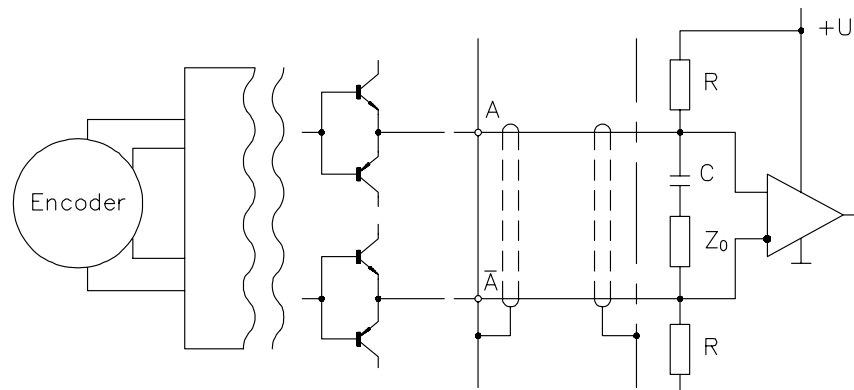


Excitation voltage	5 ... 30 V DC
Excitation current	25 mA typ. (w/o load), 200 mA max.
Output frequency	200 kHz max.
Output	Linedriver, Push-Pull, CMOS, TTL- and HTL-compatible
Output current	30 mA max.
Output voltage	Depends on the excitation voltage (e.g. to obtain TTL signals the excitation voltage must be 5 V). Compatible to EIA RS422/RS485
Saturation voltage high/low	$I_a < 10 \text{ mA}, U_B 5 \text{ V}/24 \text{ V}: < 0.5 \text{ V}$ $I_a < 30 \text{ mA}, U_B 5 \text{ V}/24 \text{ V}: < 1 \text{ V}$
Stability (temperature)	$\pm 20 \times 10^{-6} / ^\circ\text{C}$ f.s. (sensor mechanism)
Operation temperature	-10 ... +70 °C
Storage temperature	-30 ... +80 °C
Transition time positive edge	<200 ns
Transition time negative edge	<200 ns
Protection	Reverse polarity, short circuit
EMC	According to EN 61326:2006

Signal diagram



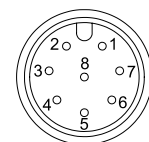
Recommended processing circuit



Signal wiring / connection

Output signal name	Connector pin no.
Excitation +	1
Excitation GND (0 V)	2
Signal A	4
Signal Ā	6
Signal B (A + 90°)	3
Signal B̄	5
Signal Z (reference pulse)	7
Signal Z̄	8

View to sensor connector



CONN-M12-8F

POSIWIRE®

IE41LI and IE41HI

Incremental Output

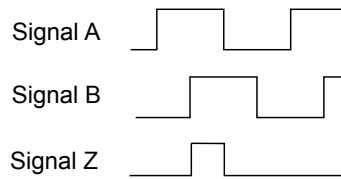


Signal conditioner IE41LI and IE41HI Incremental

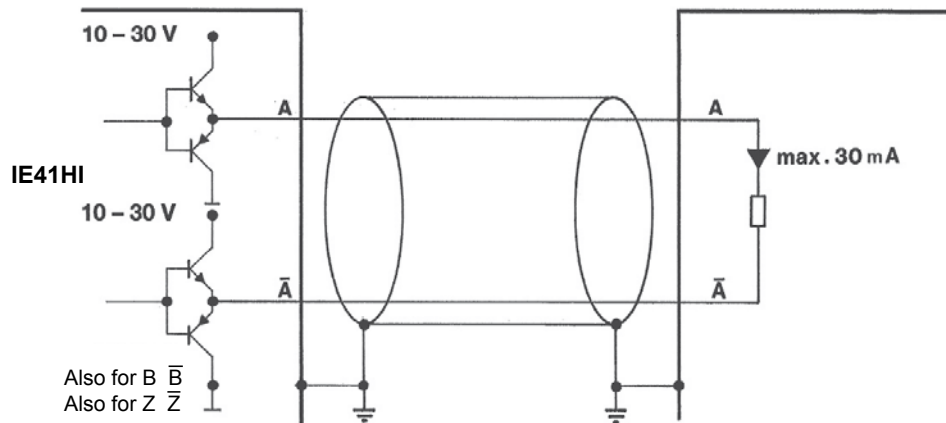
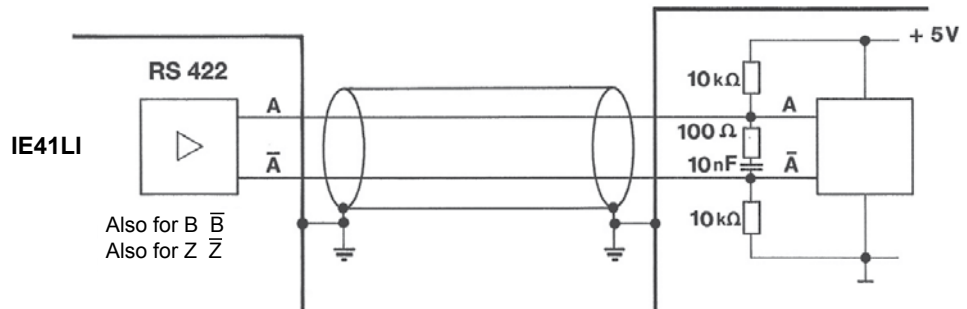


	IE41LI	IE41HI
Excitation voltage	5 V DC $\pm 10\%$	10 ... 30 V DC
Excitation current	150 mA max. w/o load	
Output frequency	300 kHz max.	200 kHz max.
Output	RS422	Push-pull antivalent
Output current	± 30 mA max.	30 mA
Output voltage	Depending on the excitation voltage	
Stability (temperature)	$\pm 20 \times 10^{-6}$ / °C f.s. (sensor mechanism)	
Operating temperature	-10 ... +70 °C	
Protection against short circuit	One channel for 1 s	Yes
EMC	According to EN 61326:2006	

Output signals



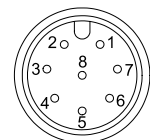
Recommended processing circuit



Signal wiring / connection

Signal name	Connector pin no. WS10	Connector pin no. WS12
Excitation +	1	1
Excitation GND (0 V)	2	2
Signal A	4	3
Signal \bar{A}	6	5
Signal B (A + 90°)	3	4
Signal \bar{B}	5	6
Signal Z (reference pulse)	7	7
Signal \bar{Z}	8	8

View to sensor
connector



CONN-M12-8F

POSIWIRE®

ADSI16

A/D Converted SSI Output

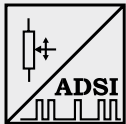


- Resolution 16 bit, synchronous serial data transmission/SSI
- Optional available with 12 bit (ADSI) or 14 bit (ADSI14) resolution
- No loss of data at power down
- Easy to connect to PLC's with SSI input circuitry

Description

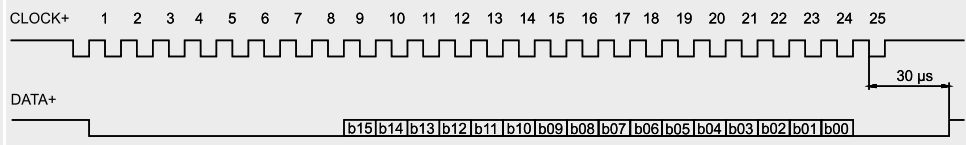
The sensing device of the ADSI is a precision potentiometer. The position information is given by an analog/digital converter output serialized as a data word. Data transmission takes place by means of the signals CLOCK and DATA. The processing unit (PLC, Micro-computer) sends pulse sequences which clock the data transmission with the required transfer rate. With the first falling edge of a pulse sequence the position of the sensor is recorded and stored. The following rising edges control the bit-by-bit A/D conversion, encoding and output of the data word. After a delay time the next new position information will be transmitted.

Signal conditioner ADSI16 A/D converted synchronous serial

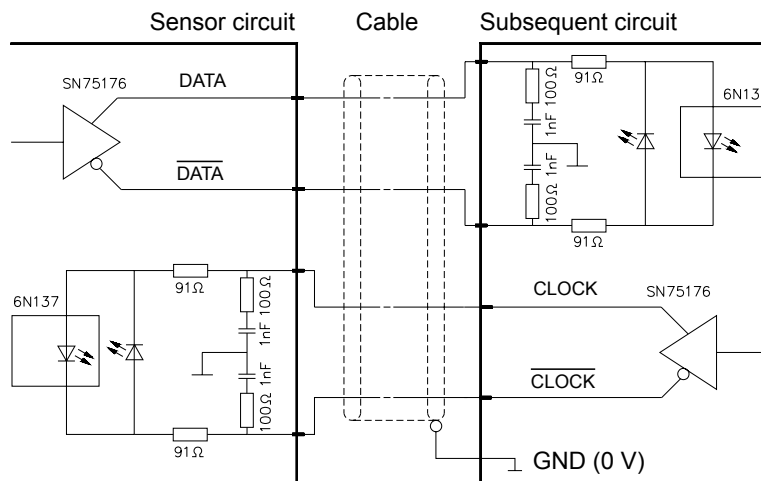


Interface	EIA RS422, RS485, short-circuit proof
Excitation voltage	11 ... 27 V DC
Excitation current	200 mA max.
Clock frequency	70 ... 500 kHz
Code	Gray code, continuous progression
Delay between pulse trains	30 µs min.
Resolution	16 bit (65536 counts) f.s.; optional 12 (ADSI) bit resp. 14 bit (ADSI14)
Stability (temperature)	±50 x 10 ⁻⁶ / °C f.s.
Operating temperature	-20 ... +85 °C
EMC	According to EN 61326:2006

Data format (train of 26 pulses)



Recommended processing circuit



Transmission rate

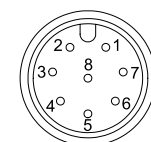
Cable length	Baud rate
< 50 m	< 300 kHz
< 100 m	< 100 kHz

Note:

Extension of the cable length will reduce the maximum transmission rate.

Signal wiring

Signal name	Connector pin no.
Excitation +	1
Excitation GND (0 V)	2
CLOCK	3
$\overline{\text{CLOCK}}$	4
DATA	5
$\overline{\text{DATA}}$	6
Shield	not connected



CONN-M12-8F

View to sensor
connector